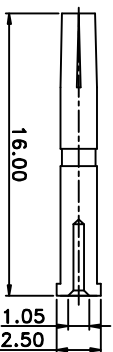
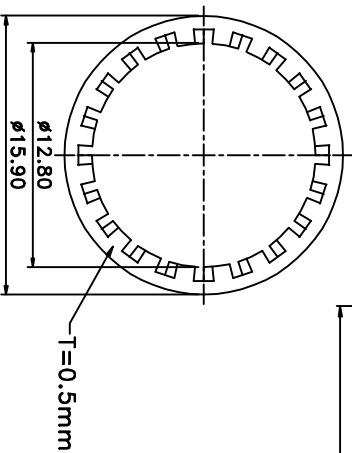
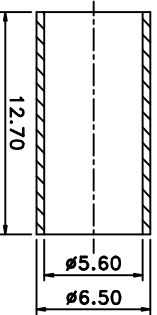
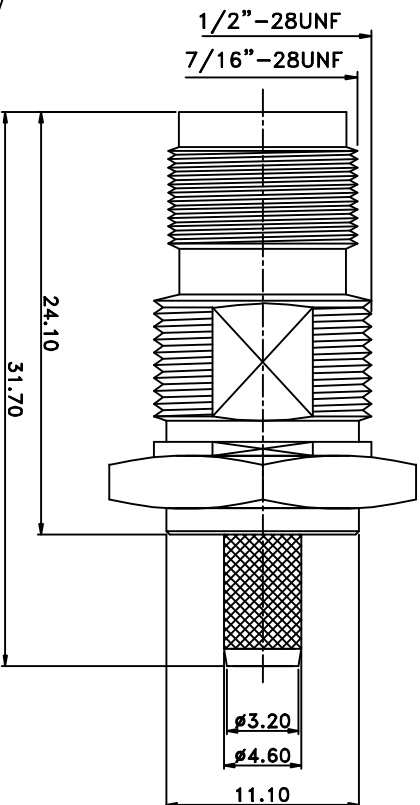
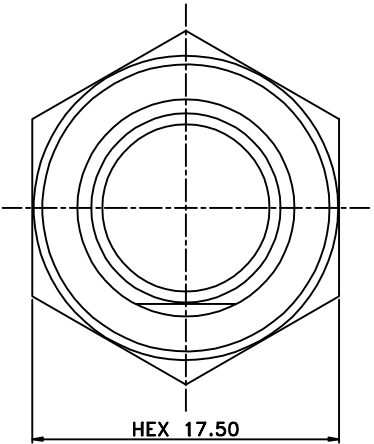
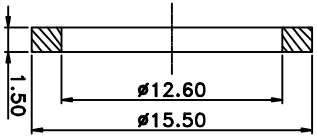
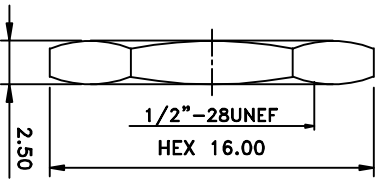
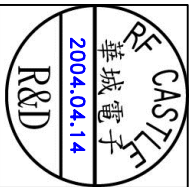


REV	DESCRIPTION	DRAWN	DATE



NO	Description	Qty	Material	Finish
9	NUT	1	BRASS	NICKEL
8	GASKET	1	RUBBER	ORANGE
7	WASHER	1	BRASS	NICKEL
6	FERRULE	1	DELIRIN	NONE
5	FERRULE	1	BRASS	NICKEL
4	DIELECTRIC	1	TEFLON	NONE
3	DIELECTRIC	1	TEFLON	NONE
2	PIN	1	BRASS	GOLD
1	BODY	1	BRASS	NICKEL

R&D



\* MAJOR DIMENSION

UNLESS OTHERWISE NOTED TOLERANCES

0.5-6=±0.2  
6-30=±0.4  
30-120=±0.6  
120-315=±1.0  
ANGLES=±1°

SCALE 5/2 UNIT MM

APPROVED CASH

CHECKED LYDIA

DRAWN PEN

DRAWN PEN

DRAWN DATE 04/04/14

**R&D Castle 華城電子有限公司**  
RF CASTLE ELECTRONICS CO.,LTD

TITLE

TNC FEMALE BULKHEAD CRIMP

DRAWING NO.

TNC-1514-11-F-TGN

REV

REV A