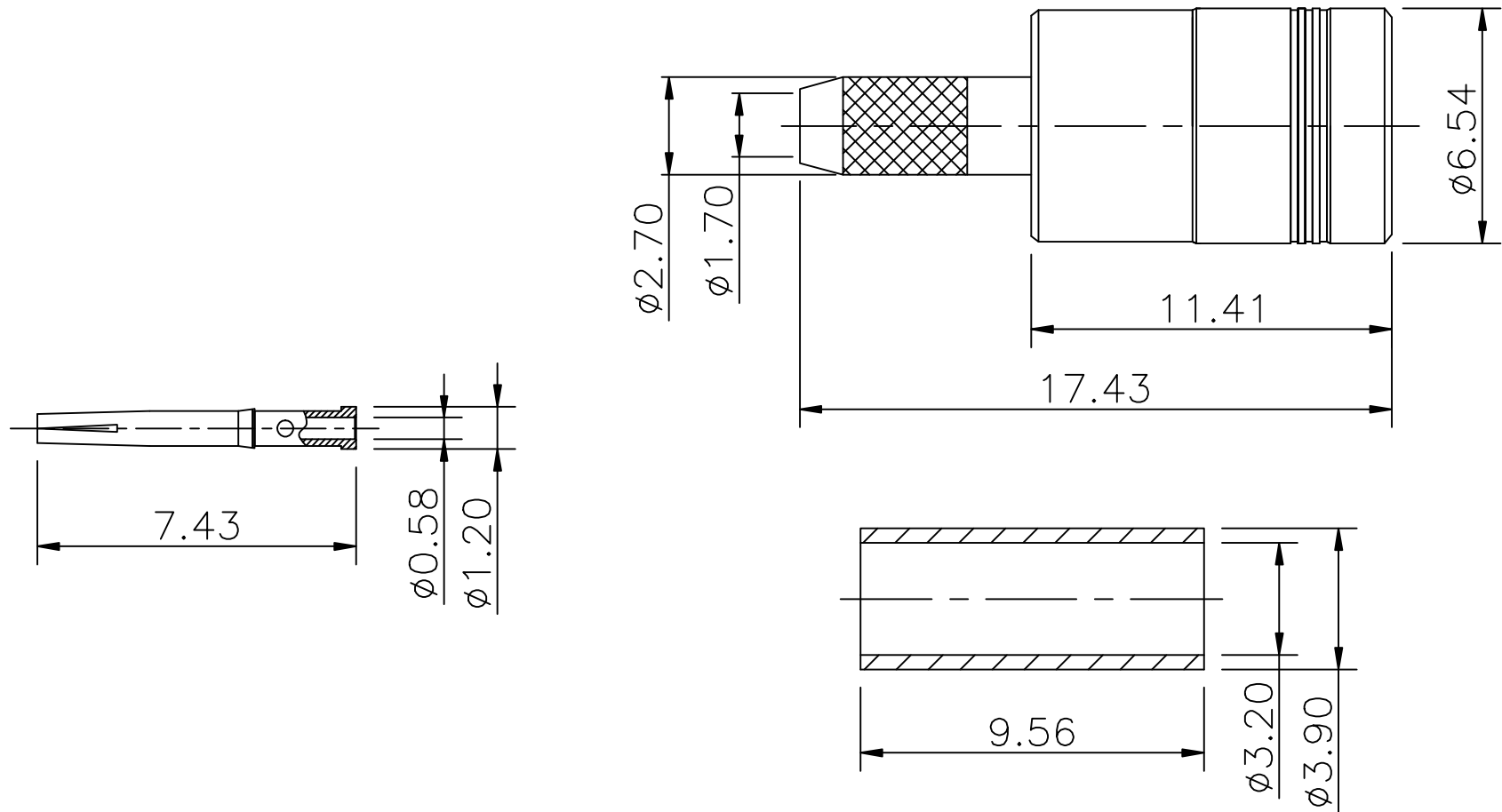




REV	DESCRIPTION	DRAWN	DATE



7	RETAINING RING	1	BERYLLIUM	GOLD
6	FERRULE	1	COPPER	GOLD
5	FERRULE	1	BRASS	GOLD
4	DIELECTRIC	1	TEFLON	NONE
3	PIN	1	BERYLLIUM	GOLD
2	BODY	1	BRASS	GOLD
1	BODY	1	BRASS	GOLD
NO	Description	Qty	Material	Finish

R&D	* MAJOR DIMENSION		APPROVED
	UNLESS OTHERWISE NOTED TOLERANCES 0.5-6=±0.2 6-30=±0.4 30-120=±0.6 120-315=±1.0 ANGLES=±1°		CASH
	SCALE	6/1	CHECKED
	UNIT	MM	LYDIA
			DRAWN
			Betty
			DRAWN DATE 07/01/11

 <b>華城電子有限公司</b> <small>RF CASTLE ELECTRONICS CO.,LTD</small>	
TITLE	
SMB MALE CRIMP	
DRAWING NO.	REV
SMB-1811-5-L-TGG	GH A