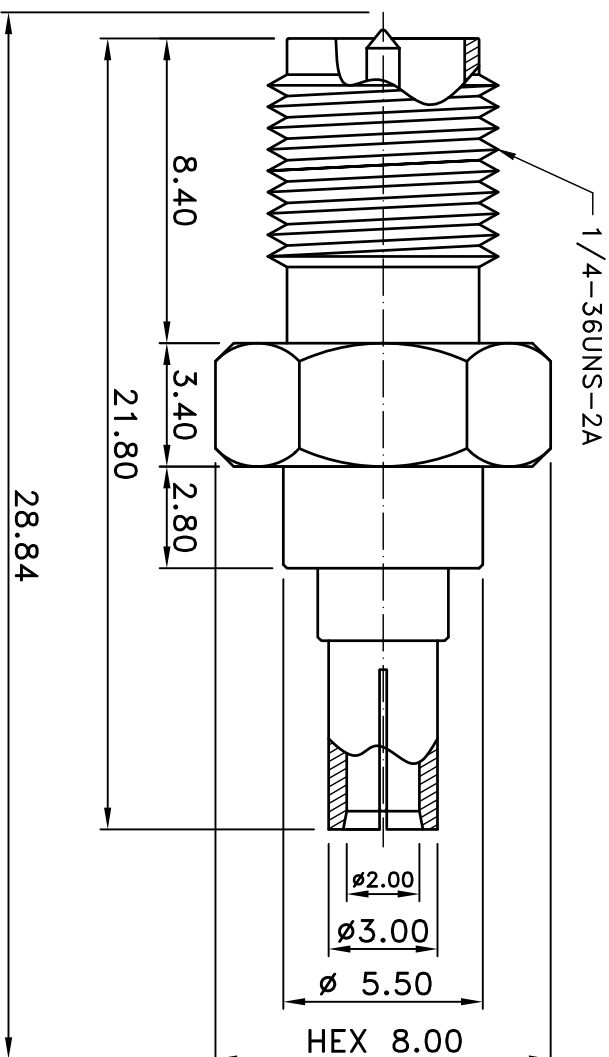



REV	DESCRIPTION	DRAWN	DATE



NO	Description	Qty	Material	Finish
3	DIELECTRIC	1	TEFLON	NONE
2	PIN	1	BRASS	GOLD
1	BODY	1	BRASS	NICKEL

R&D			
* MAJOR DIMENSION		APPROVED CASH	
UNLESS OTHERWISE NOTED TOLERANCES		CHECKED LYDIA	
0.5-6=±0.2		DRAWN KEVIN	
6-30=±0.4		DRAWN DATE 11/11/22	
30-120=±0.6		TITLE	
120-315=±1.0		RP SMA FEMALE TO CRC9 MALE	
ANGLES=±1°		DRAWING NO.	
SCALE 5/1	UNIT MM	SMA-1074-1-RP-TGN	
REV		A	



華城電子有限公司
 RF CASTLE ELECTRONICS CO., LTD