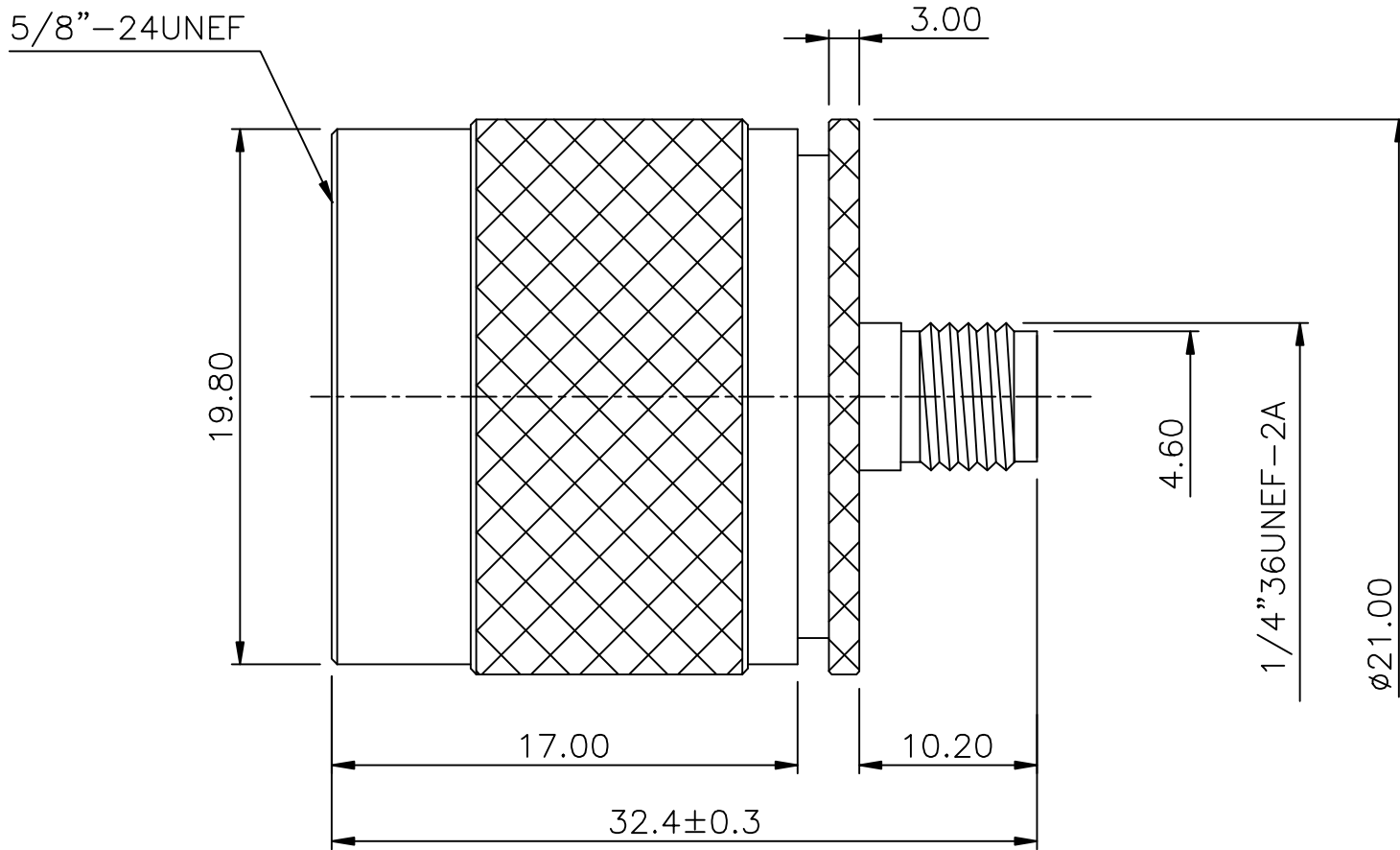


REV	DESCRIPTION	DRAWN	DATE



NO	Description	Qty	Material	Finish
3	DIELECTRIC	1	TEFLON	NONE
2	PIN	1	BRASS	GOLD
1	BODY	1	BRASS	NICKEL

R&D

* MAJOR DIMENSION

UNLESS OTHERWISE NOTED TOLERANCES
0.5-6=±0.2
6-30=±0.4
30-120=±0.6
120-315=±1.0
ANGLES=±1°

SCALE 4/1 UNIT MM

APPROVED
CASH

CHECKED
LYDIA

DRAWN
PEN

DRAWN DATE 09/02/03

TITLE
SMA FEMALE TO N MALE

DRAWING NO.
SMA-1043-7-TGN

REV
GL A