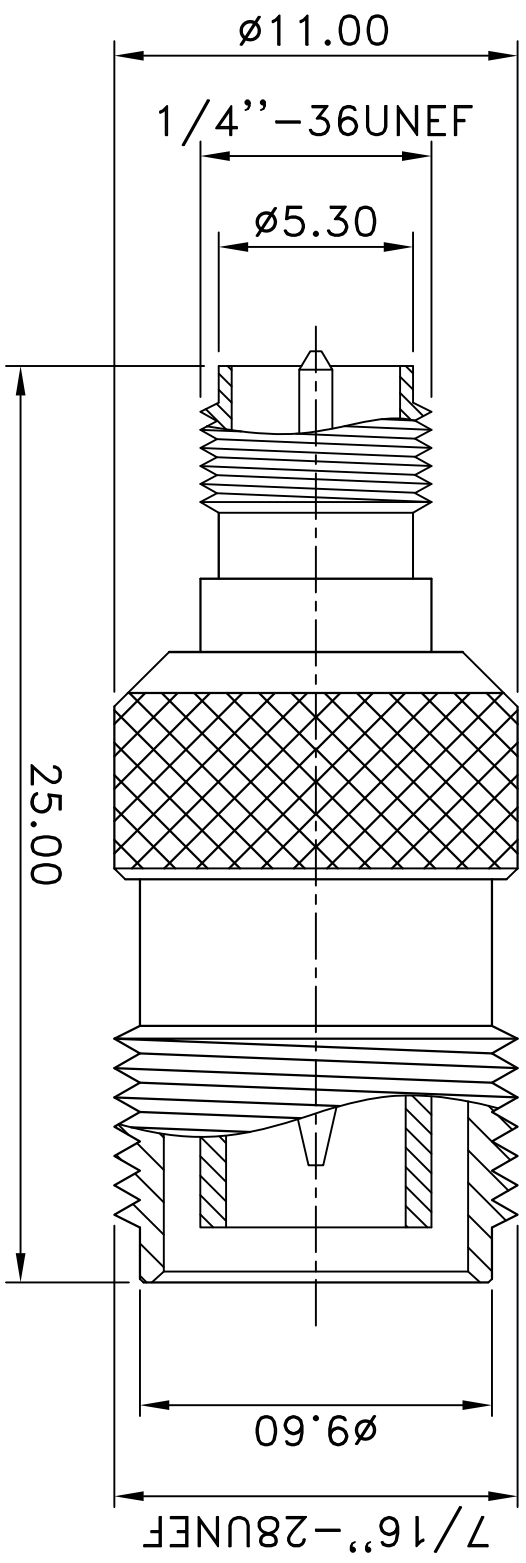




REV	DESCRIPTION	DRAWN	DATE



NO	Description	Qty	Material	Finish
3	DIELECTRIC	1	TEFLON	NONE
2	PIN	1	BRASS	GOLD
1	BODY	1	BRASS	NICKEL

R&D			
* MAJOR DIMENSION		APPROVED	
UNLESS OTHERWISE NOTED TOLERANCES		CASH	
0.5-6=±0.2	6-30=±0.4	CHECKED	
30-120=±0.6	120-315=±1.0	LYDIA	
ANGLES=±1°		DRAWN	
		KEVIN	
SCALE 5/1	UNIT MM	DRAWN DATE 01/28/13	
TITLE			
RP SMA FEMALE TO RP RP TNC FEMALE ADAPTER			
DRAWING NO. SMA-1027-5-RP-TGN			
REV		JL A	