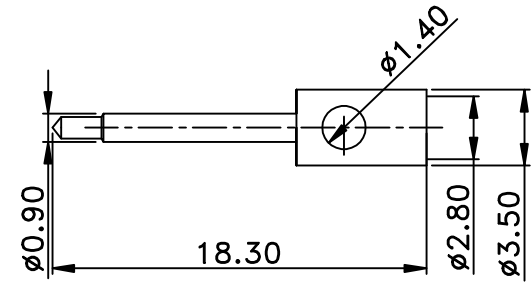
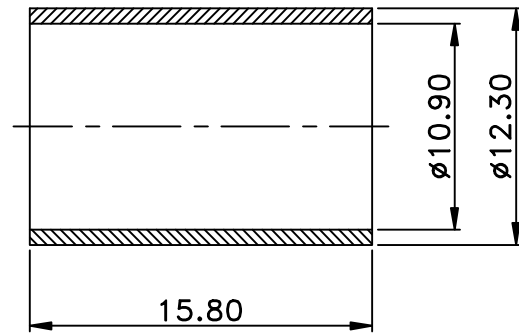
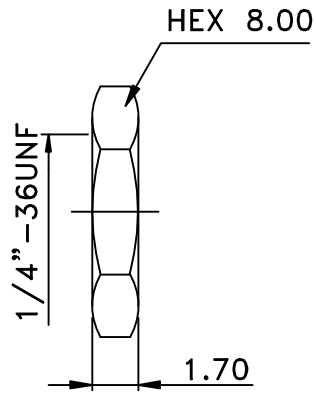
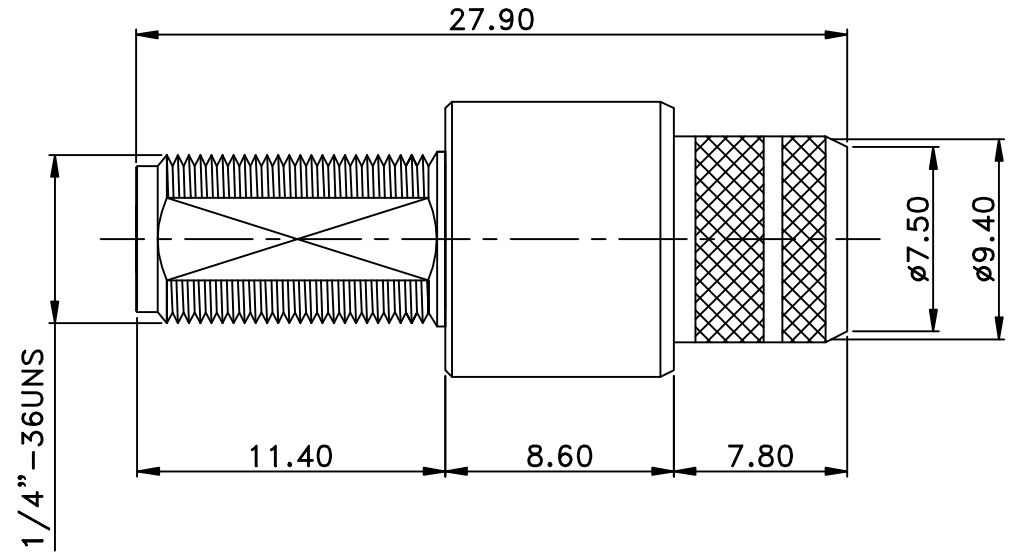
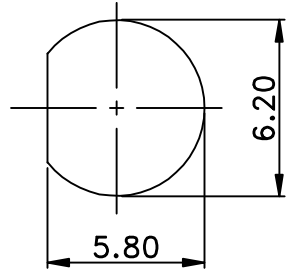
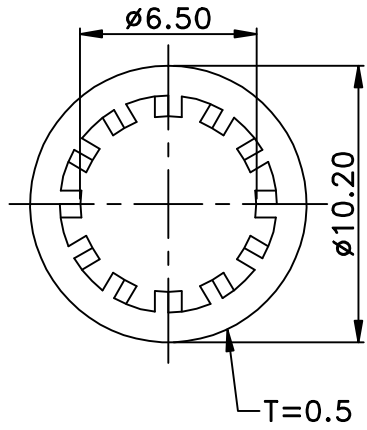


REV	DESCRIPTION	DRAWN	DATE



6	NUT	1	BRASS	NICKEL
5	INSULATOR	1	TEFLON	NONE
4	FERRULE	1	BRASS	NICKEL
3	WASHER	1	BRASS	NICKEL
2	PIN	1	BRASS	GOLD
1	BODY	1	BRASS	NICKEL
NO	Description	Qty	Material	Finish

	* MAJOR DIMENSION		APPROVED
	UNLESS OTHERWISE NOTED TOLERANCES 0.5-6=±0.2 6-30=±0.4 30-120=±0.6 120-315=±1.0 ANGLES=±1°		CASH
			CHECKED
			LYDIA
		DRAWN	
		PEN	
SCALE	4/1	UNIT	MM
DRAWN DATE			08/05/15

華城電子有限公司 <small>RF CASTLE ELECTRONICS CO.,LTD</small>	
TITLE	
SMA FEMALE RP BULKHEAD CRIMP	
DRAWING NO.	REV
SMA-1012-53-RP-B4-TGN	LY A