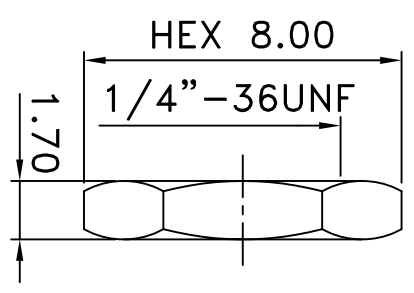
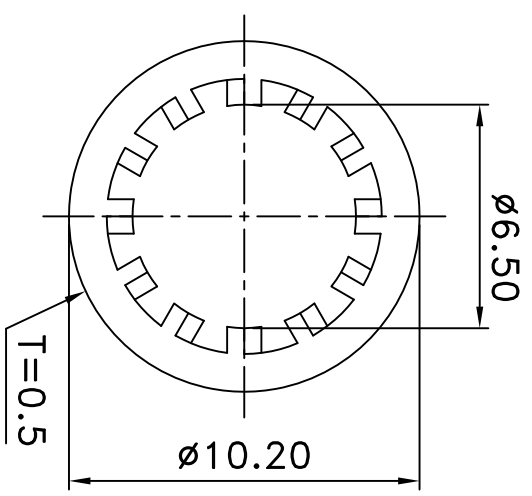
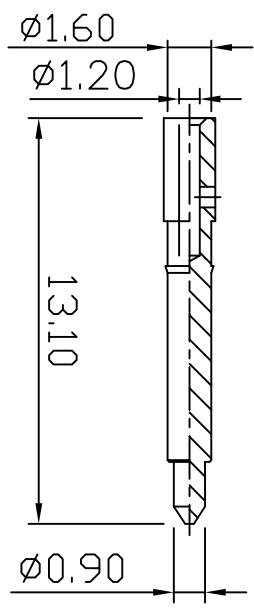
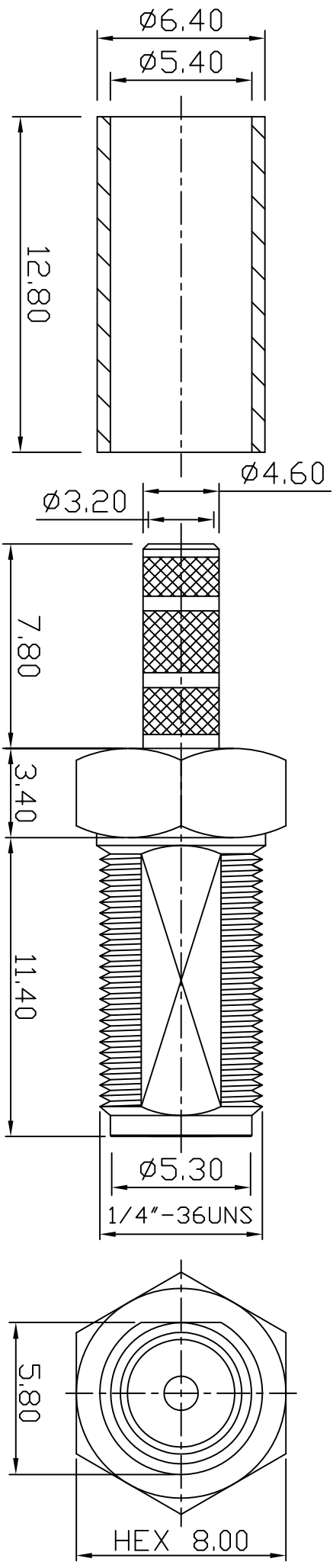
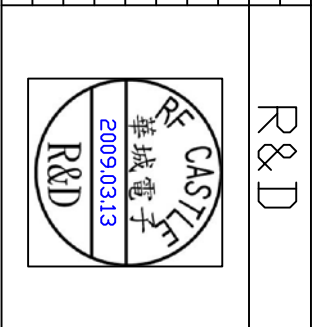


REV	DESCRIPTION	DRAWN	DATE



NO	Description	Qty	Material	Finish
3	DIELECTRIC	1	TEFLON	NONE
2	PIN	1	BERYLLIUM	GOLD
1	BDDY	1	BRASS	GOLD



*MAJOR DIMENSION
 UNLESS OTHERWISE NOTED TOLERANCES
 0.5-6=±0.2
 6-30=±0.4
 30-120=±0.6
 120-315=±1.0
 ANGLES=±1.0

SCALE	4/1	UNIT	MM
DRAWN	CASH	CHECKED	LYDIA
DATE	09/03/13	DRAWN	PEN

RF CASTLE 華城電子有限公司
 RF CASTLE ELECTRONICS CO.,LTD

TITLE
 SMA FEMALE RP BULKHEAD CRIMP

DRAWING NO.
 SMA-1012-32-F2-RP-TGG

REV
 LY A