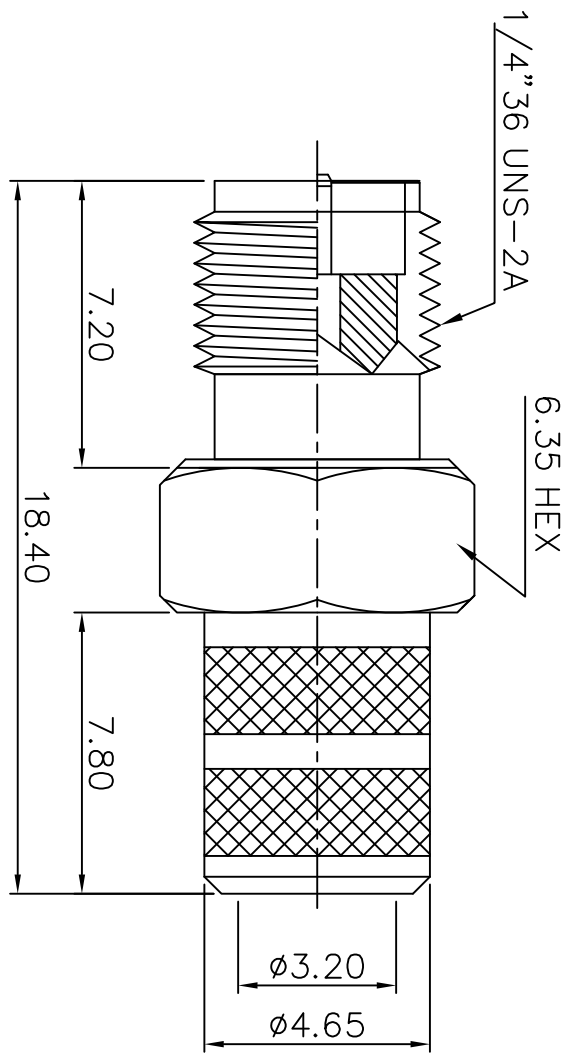
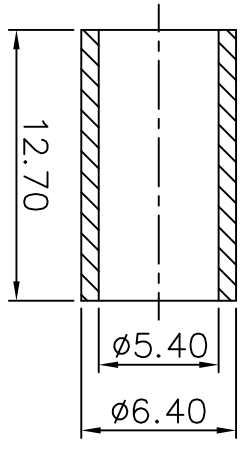
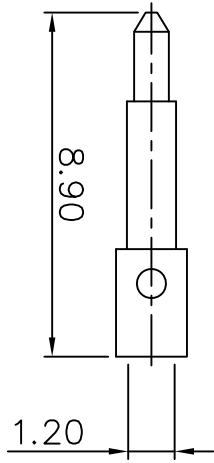


REV	DESCRIPTION	DRAWN	DATE



No	Description	Qty	Material	Finish
3	DIELECTRIC	1	TEFLON	NONE
2	PIN	1	BRASS	GOLD
1	BODY	1	BRASS	GOLD

R&D

\* MAJOR DIMENSION  
 UNLESS OTHERWISE NOTED TOLERANCES  
 0.5-6 = ±0.2  
 6-30 = ±0.4  
 30-120 = ±0.6  
 120-315 = ±1.0  
 ANGLES = ±1.0

APPROVED	CASH
CHECKED	LYDIA
DRAWN	PEN
DRAWN DATE	09/03/13

RF CASTLE 華城電子有限公司  
 RF CASTLE ELECTRONICS CO., LTD

TITLE  
 SMA FEMALE RP CRIMP TYPE

DRAWING NO.  
 SMA-1011-6-RP-F2-TGG

SCALE 4/1 UNIT MM

REV  
 LY A