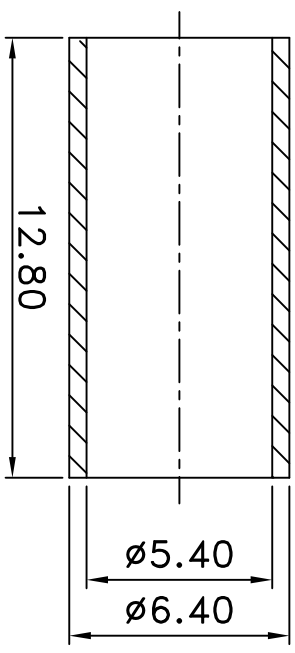
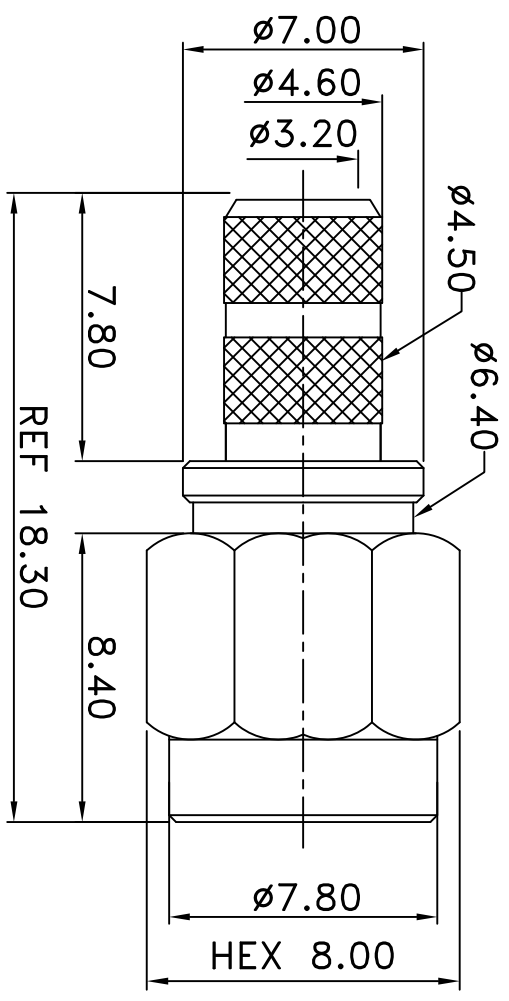
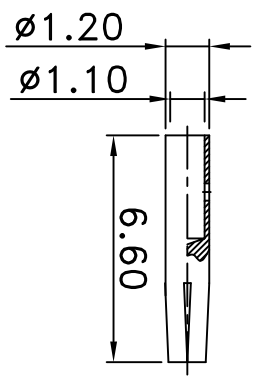


REV	DESCRIPTION	DRAWN	DATE



NO	Description	Qty	Material	Finish
3	DIELECTRIC	1	TEFLON	NONE
2	PIN	1	BRASS	GOLD
1	BODY	1	BRASS	GOLD

R&D



* MAJOR DIMENSION

UNLESS OTHERWISE NOTED TOLERANCES
 0.5-6 = ±0.2
 6-30 = ±0.4
 30-120 = ±0.6
 120-315 = ±1.0
 ANGLES = ±1°

SCALE 4/1 UNIT MM

APPROVED

CASH

CHECKED

LYDIA

DRAWN

PEN

DRAWN DATE 09/03/13

RF Castle 華城電子有限公司
 RF CASTLE ELECTRONICS CO., LTD

TITLE
 SMA MALE RP CRIMP TYPE
 DRAWING NO.
 SMA-1001-6-F-RP-TGG
 REV
 LY A