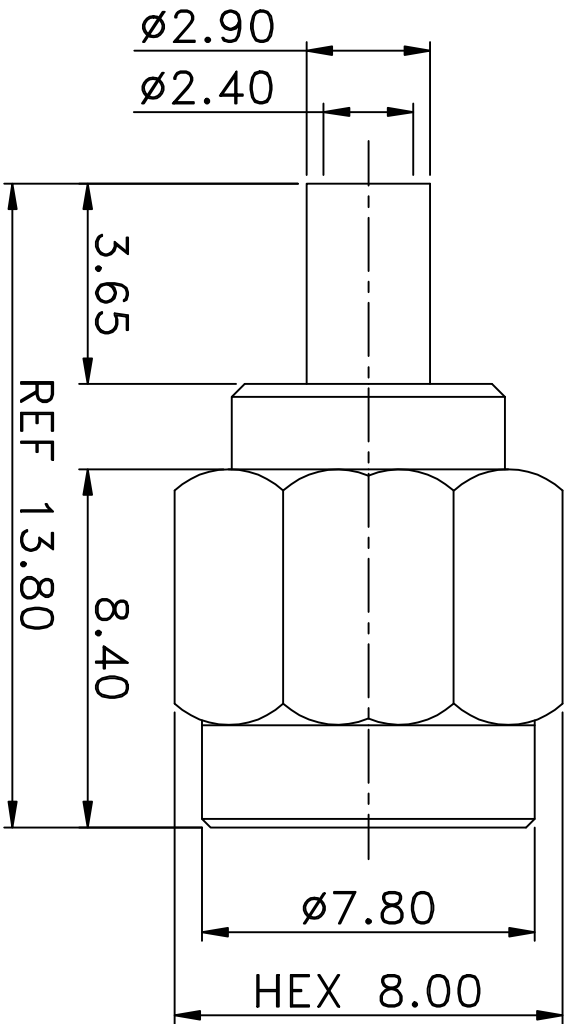
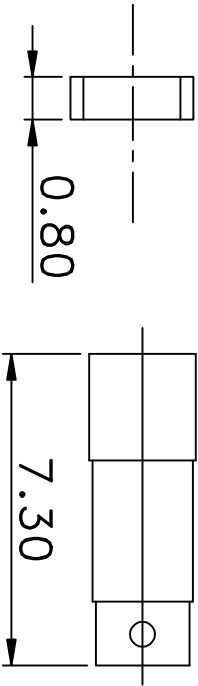
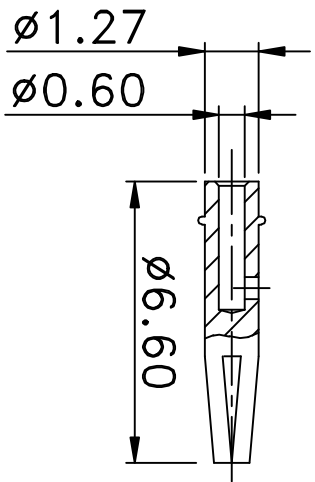
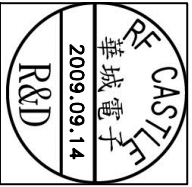


REV	DESCRIPTION	DRAWN	DATE



NO	Description	Qty	Material	Finish
3	DIIELECTRIC	1	TEFLON	NONE
2	PIN	1	BRASS	GOLD
1	BODY	1	BRASS	GOLD

R&D



* MAJOR DIMENSION

UNLESS OTHERWISE NOTED TOLERANCES
 0.5-6 = ± 0.2
 6-30 = ± 0.4
 30-120 = ± 0.6
 120-315 = ± 1.0
 ANGLES = $\pm 1^\circ$

SCALE 4/1 UNIT MM DRAWN DATE 09/09/14

APPROVED
 CASH

CHECKED
 LYDIA

DRAWN
 PEN

RF Castle 華城電子有限公司
 RF CASTLE ELECTRONICS CO.,LTD

TITLE
 RP SMA MALE CRIMP TYPE

DRAWING NO. SMA-1001-24-RP-M-TGG REV LY A