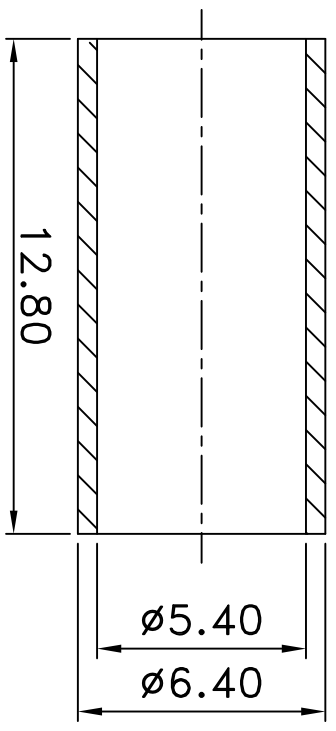
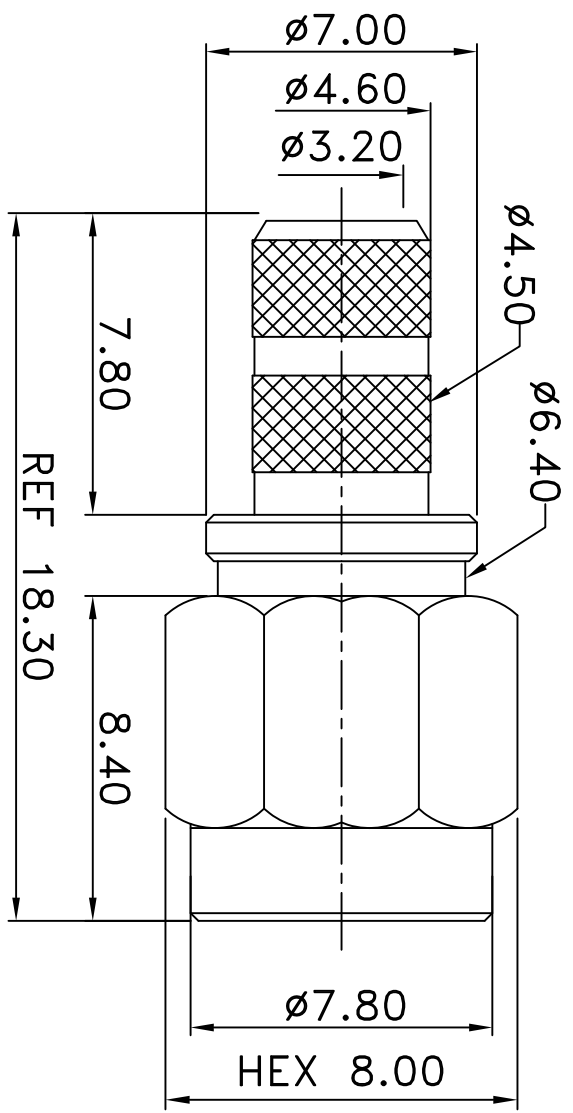
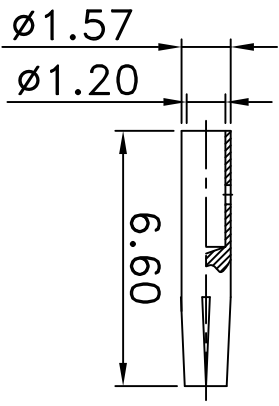


| REV | DESCRIPTION | DRAWN | DATE |
|-----|-------------|-------|------|
|     |             |       |      |



| NO | Description | Qty | Material | Finish |
|----|-------------|-----|----------|--------|
| 3  | DIELECTRIC  | 1   | TEFLON   | NONE   |
| 2  | PIN         | 1   | BRASS    | GOLD   |
| 1  | BODY        | 1   | BRASS    | GOLD   |

R&D



\* MAJOR DIMENSION

UNLESS OTHERWISE NOTED TOLERANCES  
 0.5-6 =  $\pm 0.2$   
 6-30 =  $\pm 0.4$   
 30-120 =  $\pm 0.6$   
 120-315 =  $\pm 1.0$   
 ANGLES =  $\pm 1.0$

APPROVED

CASH

CHECKED

LYDIA

DRAWN

PEN

SCALE 4/1 UNIT MM DRAWN DATE 09/03/13



TITLE  
 SMA MALE RP CRIMP TYPE  
 DRAWING NO. SMA-1001-10-F2-RP-TGG  
 REV LY A