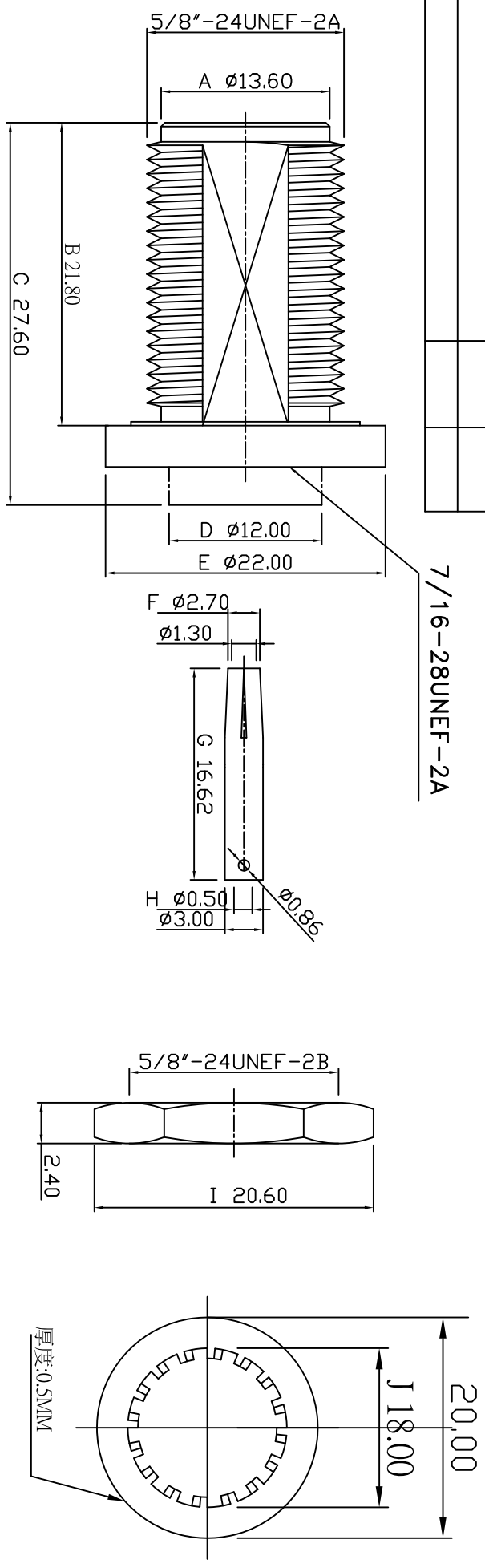
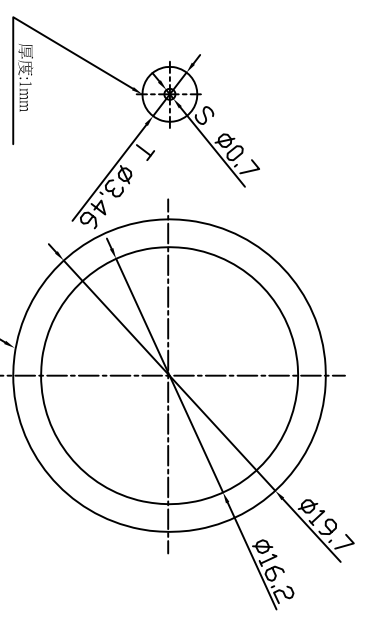
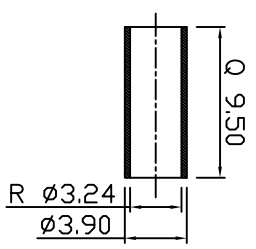
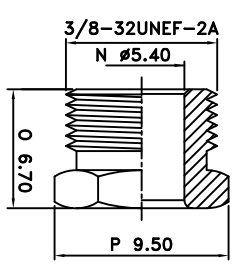
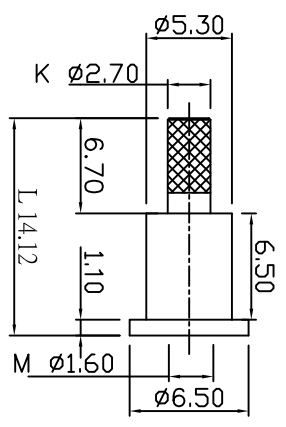


REV	DESCRIPTION	DRAWN	DATE

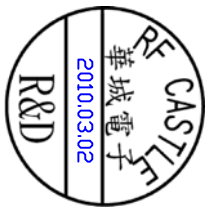


7/16-28UNEF-2A



NO	Description	Qty	Material	Finish
3	DIELECTRIC	1	TEFLON	NONE
2	PIN	1	BRASS	GOLD
1	BODY	1	BRASS	NICKEL

R&D



\*MAJOR DIMENSION  
UNLESS OTHERWISE NOTED TOLERANCES  
0.5-6=±0.2  
6-30=±0.4  
30-120=±0.6  
120-315=±1.0  
ANGLES=±1.0

SCALE	4/1	UNIT	MM	DRAWN DATE	09/03/13
APPROVED	CASH	CHECKED	LYDIA	DRAWN	PEN

RF CASTLE 華城電子有限公司  
RF CASTLE ELECTRONICS CO., LTD

TITLE  
N FEMALE BULKHEAD CRIMP TYPE

DRAWING NO.  
N-1159-1-L-TGN

REV  
GL A