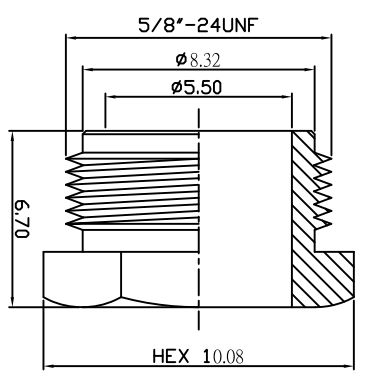
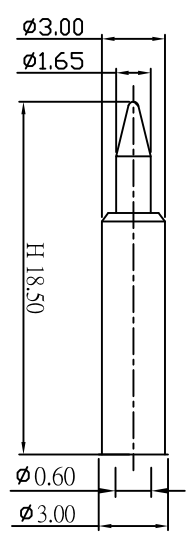
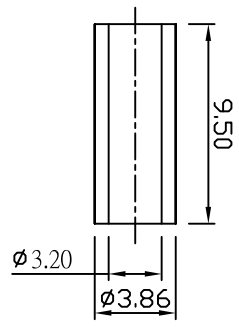
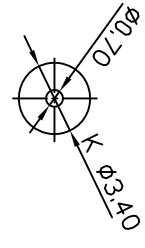
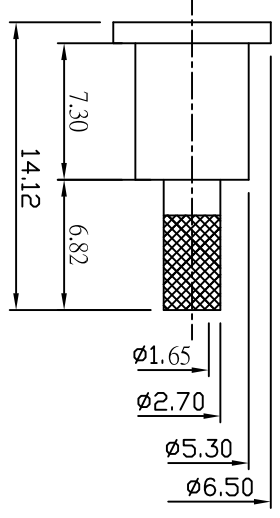
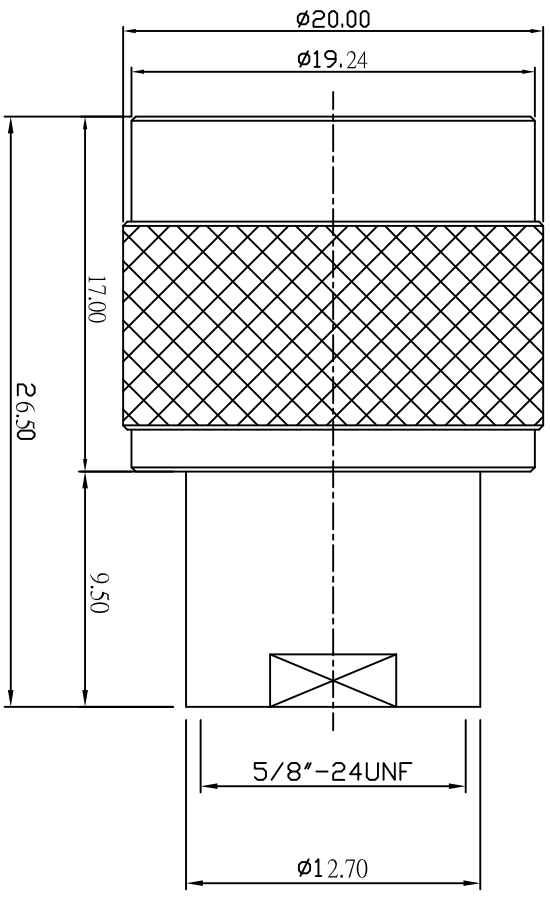
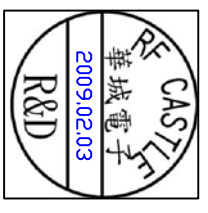


REV	DESCRIPTION	DRAWN	DATE



NO	Description	Qty	Material	Finish
1	BDDY	1	BRASS	NICKEL
2	PIN	1	BRASS	GOLD
3	DIELECTRIC	1	TEFLON	NONE

R&D



*MAJOR DIMENSION
UNLESS OTHERWISE NOTED TOLERANCES
0.5-6 = ±0.2
6-30 = ±0.4
30-120 = ±0.6
120-315 = ±1.0
ANGLES = ±1.0

APPROVED
CASH

CHECKED
LYDIA

DRAWN
PEN

RFCastle 華城電子有限公司
RF CASTLE ELECTRONICS CO., LTD

TITLE
N MALE CRIMP TYPE

DRAWING NO.
N-1158-2-L-TGN

REV
GL A

SCALE 4/1 UNIT MM DRAWN DATE 09/02/03