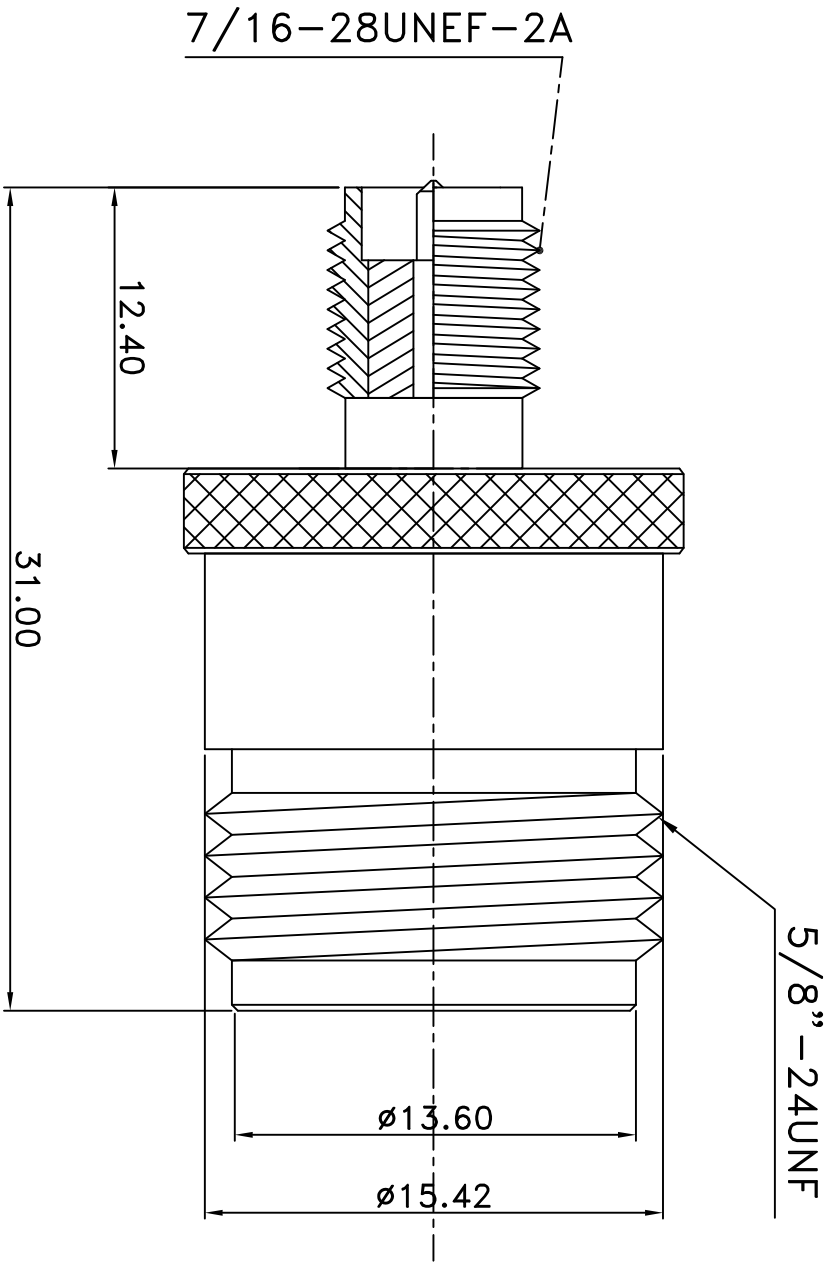


REV	DESCRIPTION	DRAWN	DATE



NO	Description	Qty	Material	Finish
3	DIELECTRIC	1	TEFLON	NONE
2	PIN	1	BRASS	GOLD
1	BODY	1	BRASS	NICKEL

R&D

*** MAJOR DIMENSION**

UNLESS OTHERWISE NOTED TOLERANCES

0.5-6 = ±0.2

6-30 = ±0.4

30-120 = ±0.6

120-315 = ±1.0

ANGLES = ±1.0

SCALE 4/1 UNIT MM

APPROVED

CASH

CHECKED

LYDIA

DRAWN

PEN

DRAWN DATE 09/08/12

TITLE

N FEMALE TO RP TNC FEMALE

DRAWING NO.

N-1141-2-RP-TGN

REV

GL A