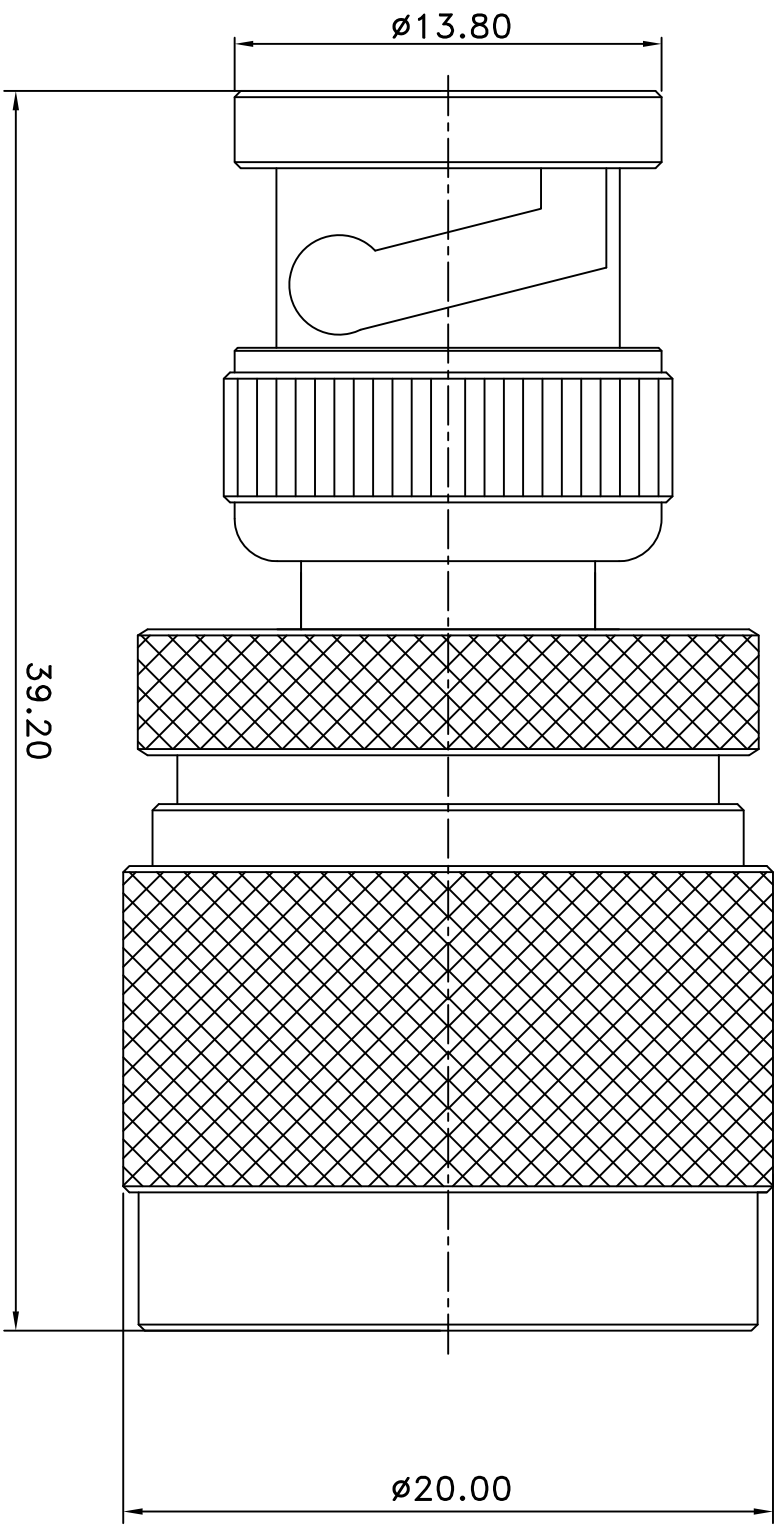


REV	DESCRIPTION	DRAWN	DATE



NO	Description	Qty	Material	Finish
3	DIELECTRIC	1	TEFLON	NONE
2	PIN	1	BRASS	GOLD
1	BODY	1	BRASS	Nickel

R&D

*** MAJOR DIMENSION**

UNLESS OTHERWISE NOTED TOLERANCES
 0.5-6 = ±0.2
 6-30 = ±0.4
 30-120 = ±0.6
 120-315 = ±1.0
 ANGLES = ±1.0

SCALE 4/1 UNIT MM

APPROVED
 CASH

CHECKED
 LYDIA

DRAWN
 PEN

DRAWN DATE 09/03/13

TITLE
 N MALE TO BNC MALE

DRAWING NO.
 N-1134-1-TGN

REV
 GL A