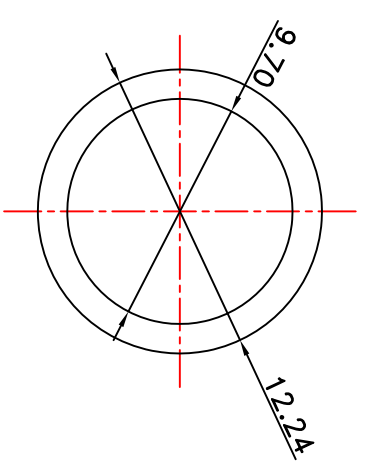
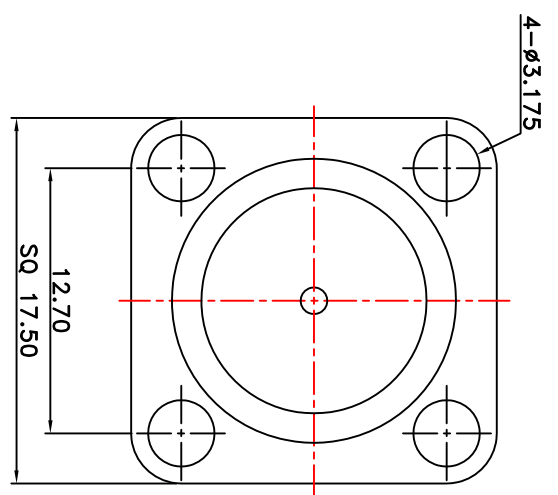
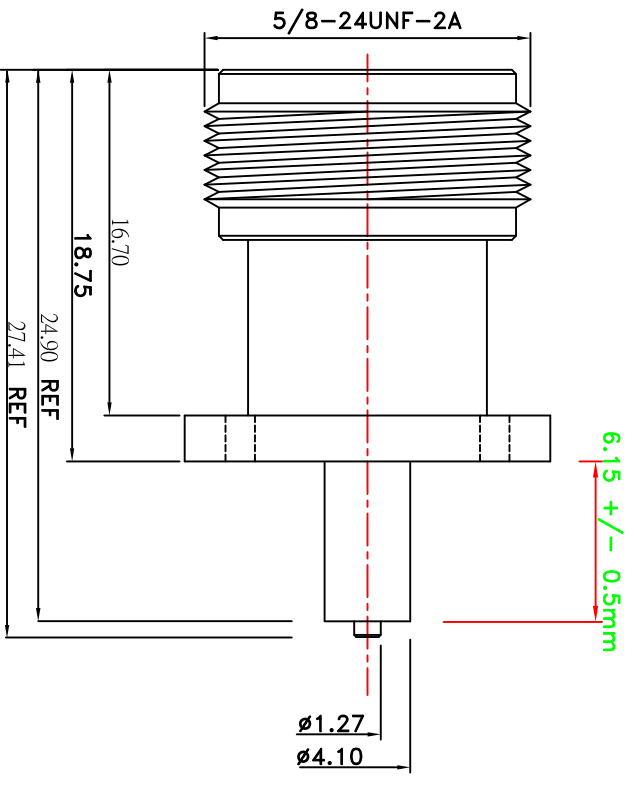


REV	DESCRIPTION	DRAWN	DATE



NO	Description	Qty	Material	Finish
1	Body(B-01105)	1	Brass	NICKEL
2	Pin(C-01150)	1	Brass	Gold
3	Dielectric(T-01084)	1	Teflon	NICKEL
4	Sleeve(E-008)	1	Brass	NICKEL
5	"O" Ring(G-074-R)	1	Rubber	Black

R&D



* MAJOR DIMENSION

UNLESS OTHERWISE NOTED TOLERANCES
 0.5-6=±0.2
 6-30=±0.4
 30-120=±0.6
 120-315=±1.0
 ANGLES=±1.0

APPROVED

CASH

CHECKED

LYDIA

DRAWN

PEN

SCALE 4/1 UNIT MM DRAWN DATE 09/08/20

R&D Castle 華城電子有限公司
 RF CASTLE ELECTRONICS CO.,LTD

TITLE

N FEMALE PANEL RECEPTACLE

DRAWING NO.

N-1122-2-TGN

REV

GL A