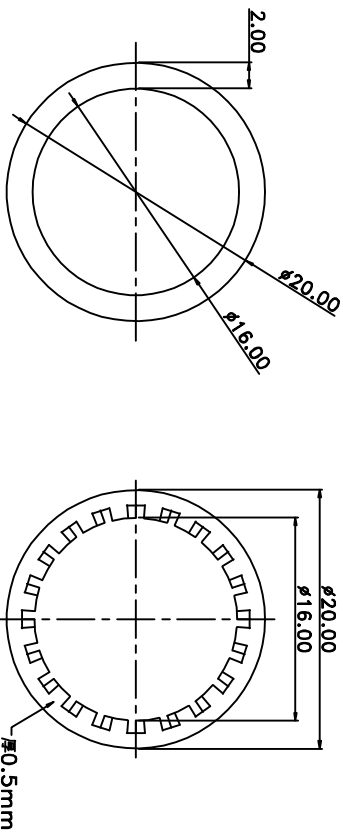
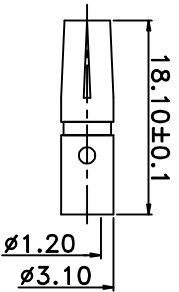
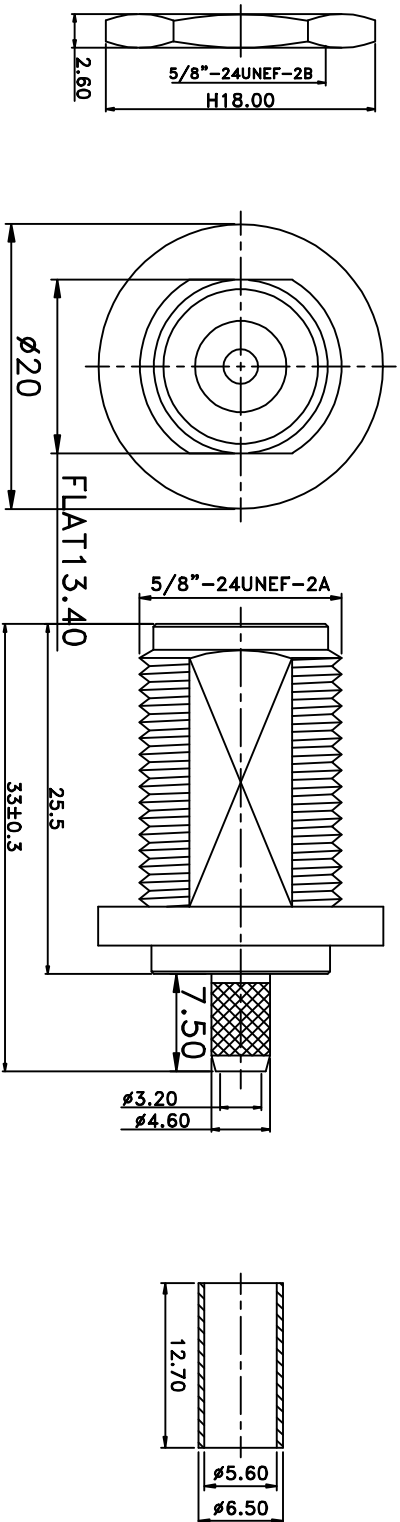
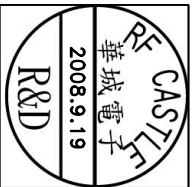


REV	DESCRIPTION	DRAWN	DATE



NO	Description	QTY	Material	Finish
3	DIELECTRIC	1	TEFLON	NONE
2	PIN	1	BRASS	GOLD
1	BODY	1	BRASS	NICKEL

R&D



\* MAJOR DIMENSION

UNLESS OTHERWISE NOTED TOLERANCES

0.5-6=±0.2  
6-30=±0.4  
30-120=±0.6  
120-315=±1.0  
ANGLES=±1°

SCALE	4/1	UNIT	MM	DRAWN DATE	08/09/19
-------	-----	------	----	------------	----------

APPROVED  
CASH

CHECKED  
LYDIA

DRAWN  
PEN



TITLE  
N FEMALE BKD CRIMP TYPE  
DRAWING NO.  
N-1112-24-F-TGN  
REV  
GL A