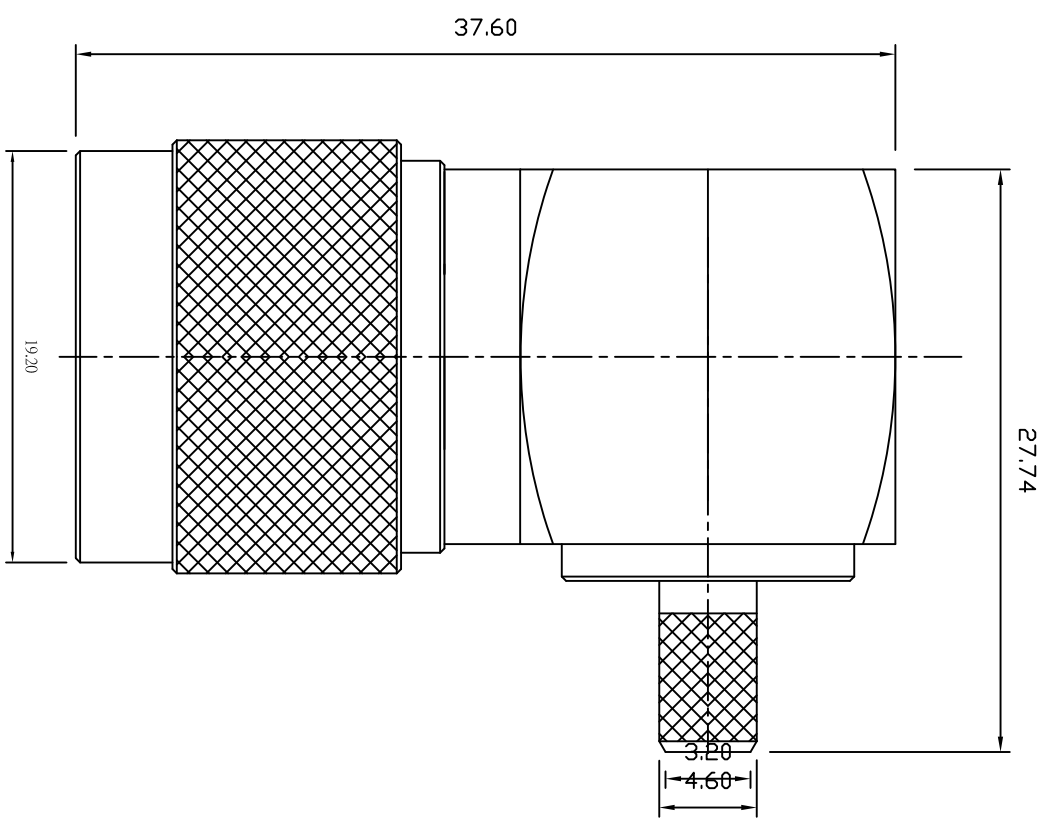
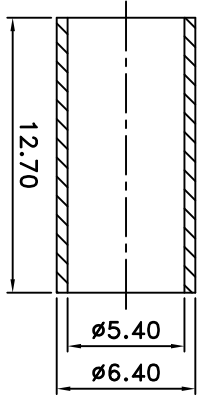
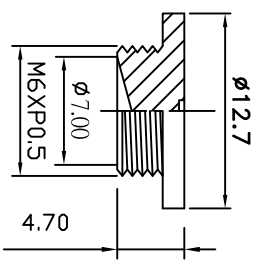
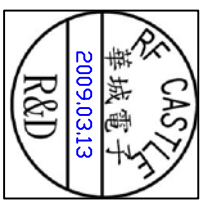


REV	DESCRIPTION	DRAWN	DATE



NO	Description	Qty	Material	Finish
3	DIELECTRIC	1	TEFLON	NONE
2	PIN	1	BRASS	GOLD
1	BODY	1	BRASS	Nickel

R&D



\* MAJOR DIMENSION

UNLESS OTHERWISE NOTED TOLERANCES  
 0.5-6 = ±0.2  
 6-30 = ±0.4  
 30-120 = ±0.6  
 120-315 = ±1.0  
 ANGLES = ±1.0

SCALE 4/1 UNIT MM

APPROVED  
**CASH**

CHECKED  
**LYDIA**

DRAWN  
**PEN**

**RF CASTLE** 華城電子有限公司  
 RF CASTLE ELECTRONICS CO., LTD

TITLE  
 RIGHT ANGLE N MALE CRIMP TYPE  
 DRAWING NO. N-1103-2-F1-TGN  
 REV **GL A**

REV **GL A**