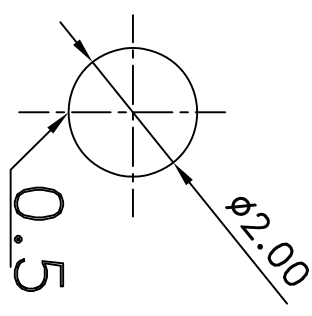
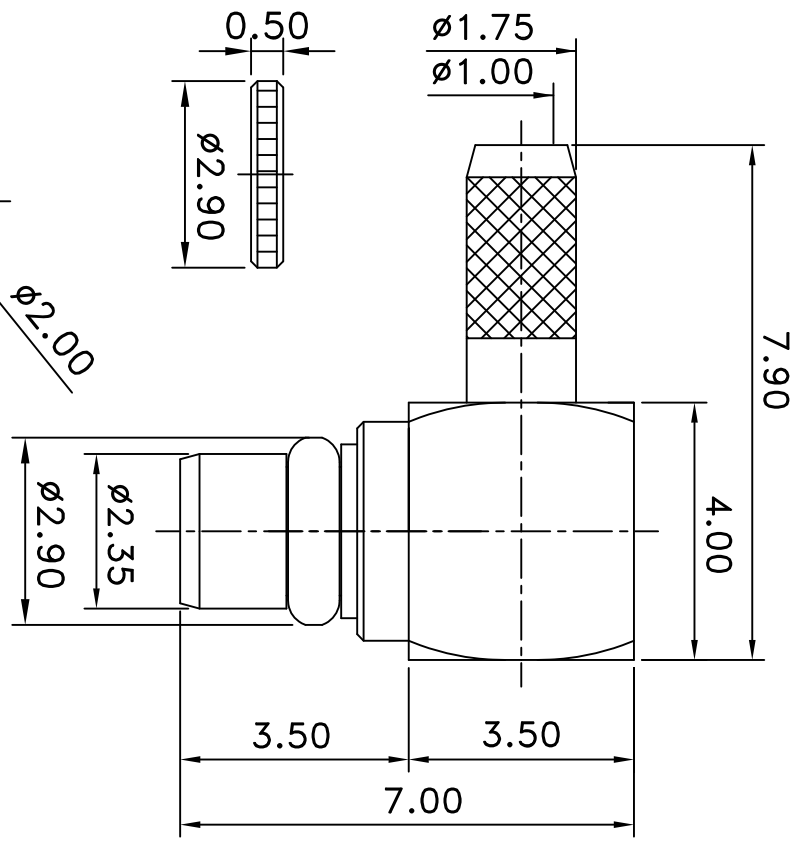
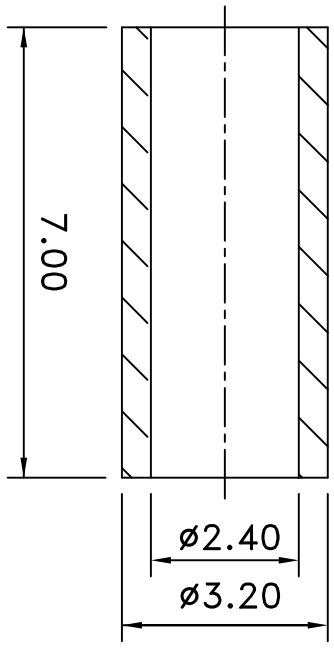


REV	DESCRIPTION	DRAWN	DATE



NO	Description	Qty	Material	Finish
3	DIELECTRIC	1	TEFLON	NONE
2	PIN	1	BRASS	GOLD
1	BODY	1	BRASS	GOLD

R&D



\* MAJOR DIMENSION

UNLESS OTHERWISE NOTED TOLERANCES  
 0.5-6 =  $\pm 0.2$   
 6-30 =  $\pm 0.4$   
 30-120 =  $\pm 0.6$   
 120-315 =  $\pm 1.0$   
 ANGLES =  $\pm 1.0$

SCALE 4/1 UNIT MM DRAWN DATE 09/03/13

APPROVED CASH

CHECKED LYDIA

DRAWN PEN

RF Castle 華城電子有限公司  
 RF CASTLE ELECTRONICS CO., LTD

TITLE MM CX MALE RIGHT ANGLE CRIMP  
 DRAWING NO. MM CX-802-7-M-TGG  
 REV SL A