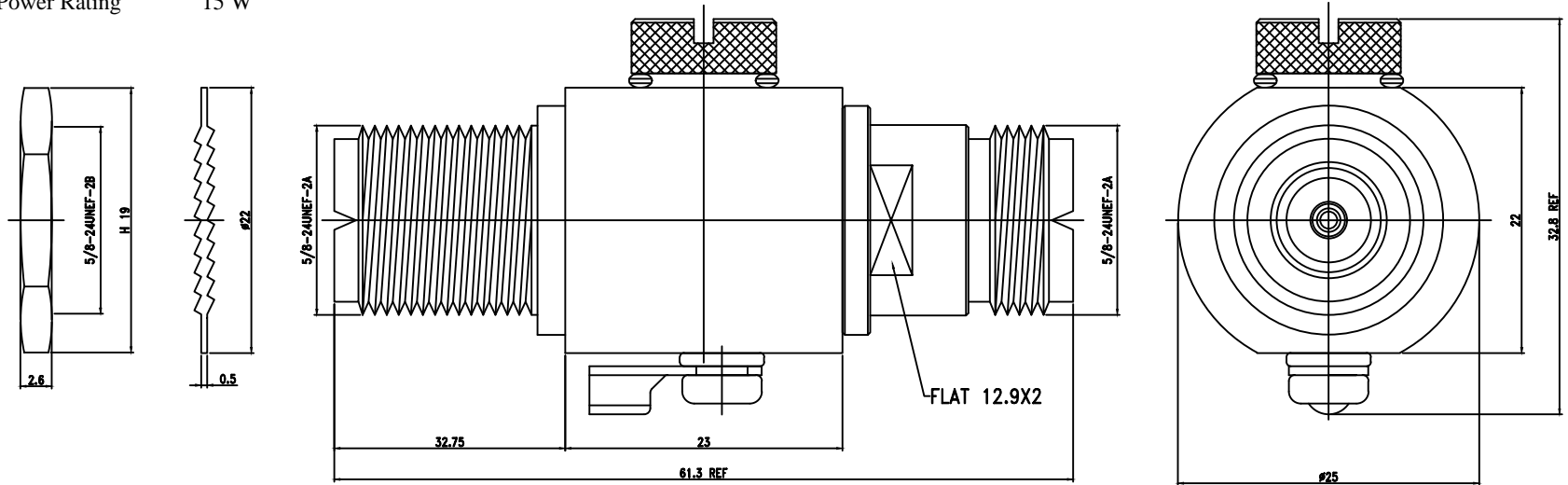




REV		DRAWN	DATE	DESCRIPTION

Lightning Protector 6GHZ
 Frequency 1 GHZ
 VSWR 1:1.7 Max
 Insertion Loss 0.9dBi Max
 Impedence 50Ohm
 I cu'Vvdg'FE'.....'452XÖ42'
 Breakdown VoItage
 Gas Tube Impulse $\leq 700V$
 Breakdown VoItage
 Gas Tube Insulation $\geq 10000 M Ohm$
 Resistance
 Max Withstand Current 5 K V
 RF Power Rating 15 W



R&D  華城電子 2008.9.19 R&D	* MAJOR DIMENSION UNLESS OTHERWISE NOTED TOLERANCES 0.5-6=±0.2 6-30=±0.4 30-120=±0.6 120-315=±1.0 ANGLES=±1°	APPROVED CASH	 華城電子有限公司 RF CASTLE ELECTRONICS CO.,LTD
		CHECKED LYDIA	
SCALE 4/1 UNIT MM	DRAWN PEN	DRAWN DATE 08/09/19	DRAWING NO. LP-19
			REV A