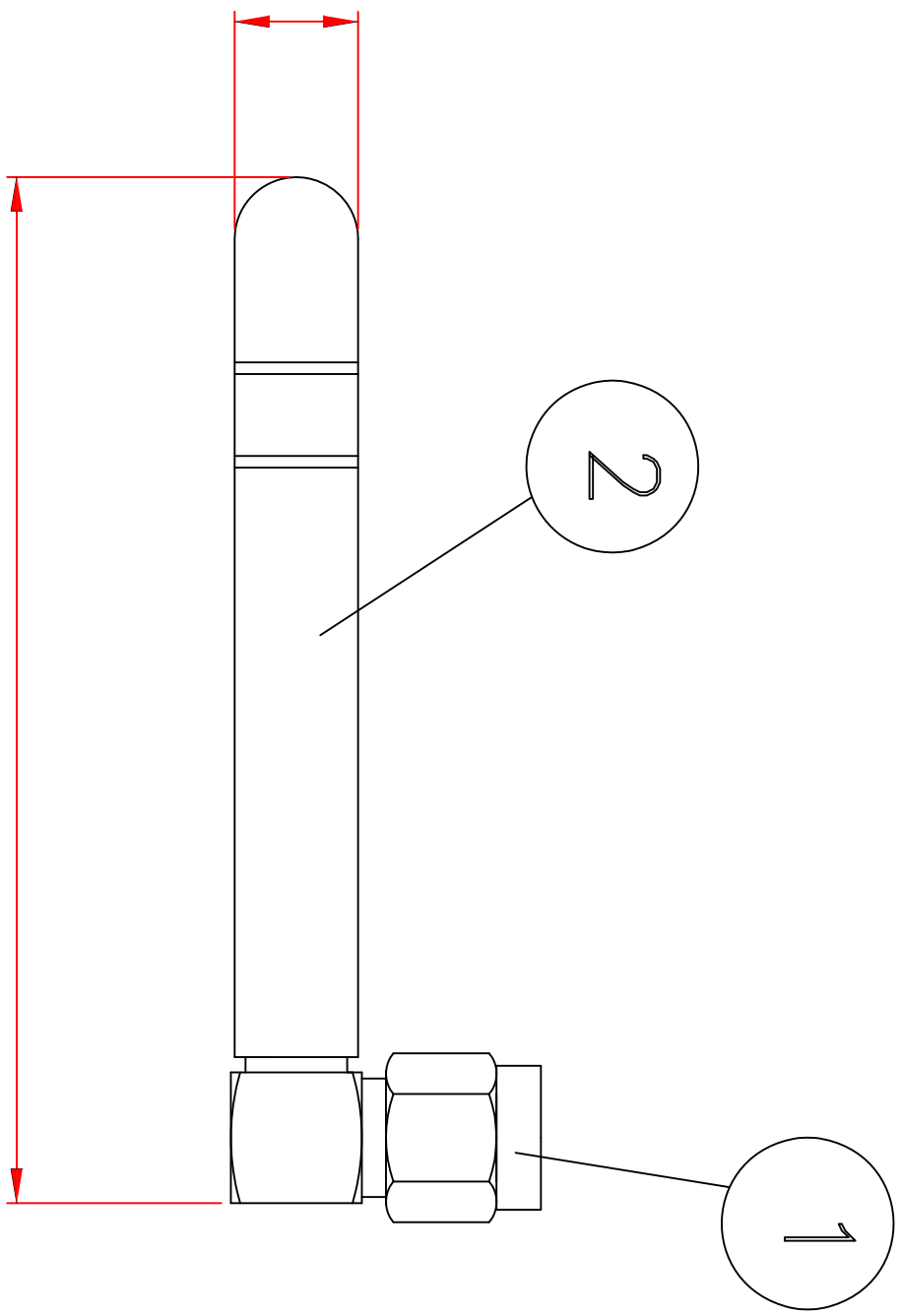


REV	DESCRIPTION	DRAWN	DATE



NO	Description	Qty	Material	Finish
2	PU CAP BLACK	1		Black
1	SMA MALE RIGTH ANGLE	1	BASS	GOLD

R&D

* MAJOR DIMENSION				APPROVED	
UNLESS OTHERWISE NOTED TOLERANCES				CASH	
0.5-6=±0.2				CHECKED	
6-30=±0.4				LYDIA	
30-120=±0.6				DRAWN	
120-315=±1.0				KEVIN	
ANGLES=±1.0				DRAWN DATE 10/09/01	
SCALE	3/4	UNIT	MM		

RFCastle 華城電子有限公司
RF CASTLE ELECTRONICS CO.,LTD

TITLE
GSM 800-900, 1800-1900MHZ

DRAWING NO.
GSM-001

REV	A
-----	---