

DA-2450-01

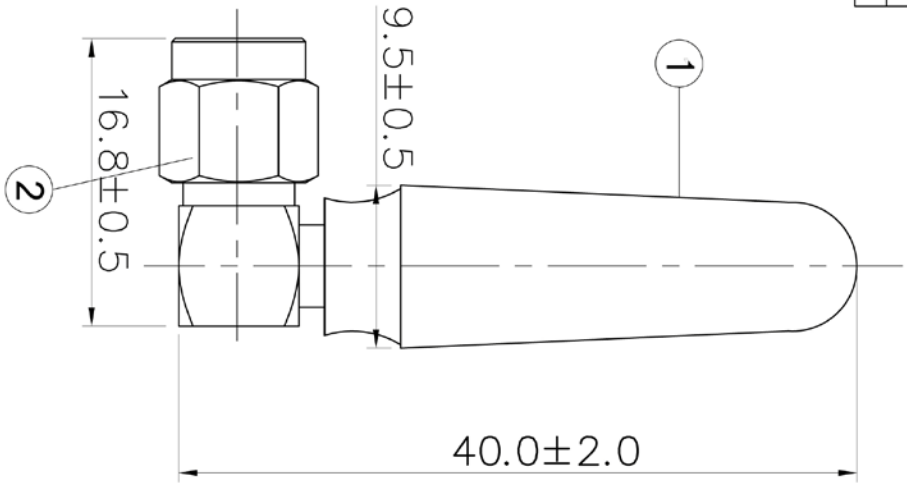
2.4GHz 1dBi Dipole Antenna




Specification:

Technical Information	
Item No.	DA-2450-01
Frequency	2400-2500MHz
Gain	1 dBi
Polarization	Vertical
VSWR	$\leq 2.0:1$
Impedance	50 $\Omega$
Dimensions	
Size	H 40 mm
Weight	8.5 g
Connector	SMA Type Male

REV	DESCRIPTION	DRAWN	DATE



NO	Description	Qty	Material	Finish
2	SMA MALE	1	BRASS	GOLD
1	BODY	1	PC+ABS	BLACK

R&D		* MAJOR DIMENSION UNLESS OTHERWISE NOTED TOLERANCES 0.X=±0.1 0.XX=±0.05		APPROVED CASH		RF Castle 華城電子有限公司 RF CASTLE ELECTRONICS CO., LTD	
		SCALE 1/1 UNIT MM		CHECKED LYDIA DRAWN KEVIN		TITLE 2.4GHz 1dBi Dipole Antenna	
DRAWN DATE 12/05/11				DRAWING NO. DA-2450-01			
REV							A

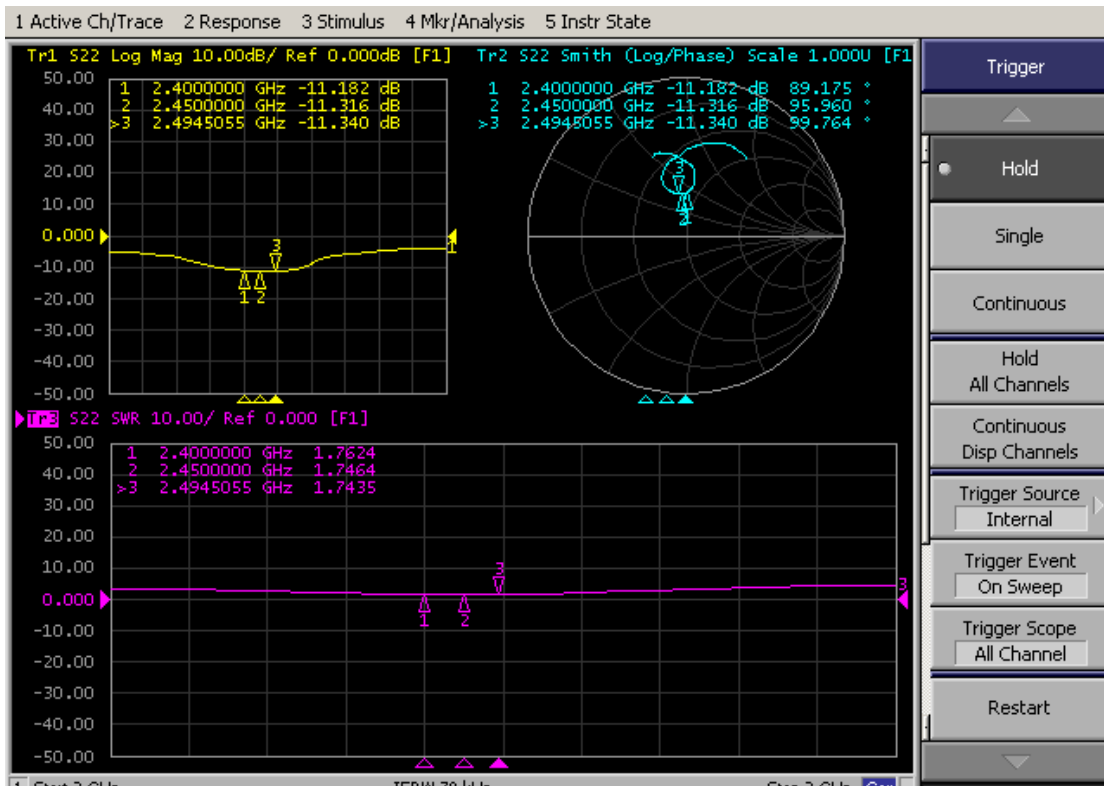
## 1. Reliability Testing

Test Item	Procedure	Requirement
<b>1. Visual inspection and Dimension Check</b>	Applicable methods using x5 magnification	follow specification
<b>2. Rapid Changing of Temperature</b>	-40°C (30minutes) to 90°C (30minutes); 24 cycles	After 2 hours recovery: 1. no visible damage 2. Freq. Tol.: < ±5%
<b>3. Damp Heat</b>	24 hours at 60°C; 90 ~ 95% RH	After 2 hours recovery: 1. no visible damage 2. Freq. Tol. : < ±5%
<b>4. Endurance</b>	24 hours at 90°C	After 2 hours recovery: 1. no visible damage 2. Freq Tol.: < ±5%

## 2.Specification

A. Electrical Characteristics	
S.W.R.	2400-2500MHz: ≤ 2.0
Antenna Gain	1.0 dBi
Impedance	50 Ohm
B. Material	
Material of Radiator	Cu (Plated)
Connector Type	SMA
C. Environmental	
Operation Temperature	- 30 °C ~ + 85 °C
Storage Temperature	-30 °C ~+ 85 °C

### 3.S Parameter Test data



#### 4. Antenna Radiation Pattern

Testing Equipment Specification:

Antenna Anechoic Chamber Dimension: 8 x 4 x 4 m

Quiet Zone: 600mm @1 GHz

Isolation: >100dB @ 1 MHz ~ 10 GHz

Testing Equipment: Agilent 5071B

Received Antenna: 0.7 ~ 6.0 GHz for Gain Calibration

#### Double Ridged Horn Antenna

