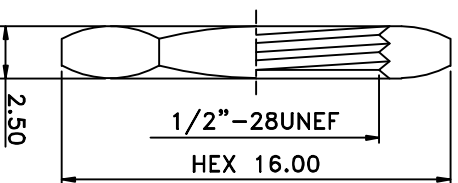
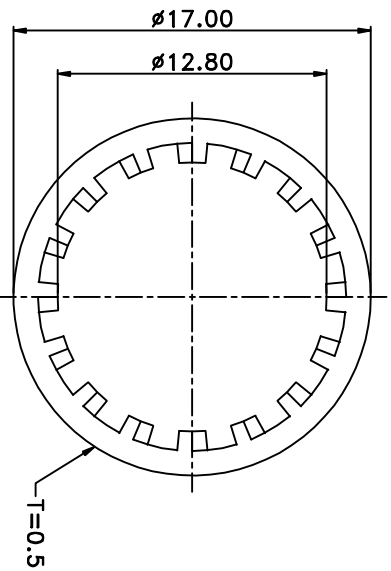
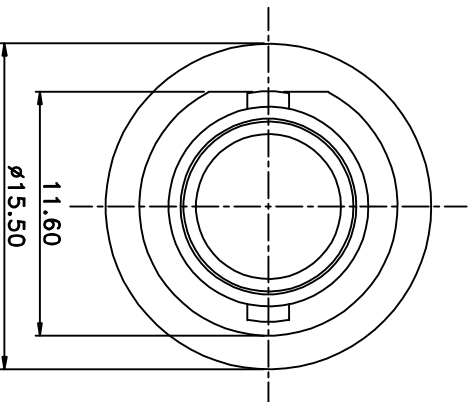
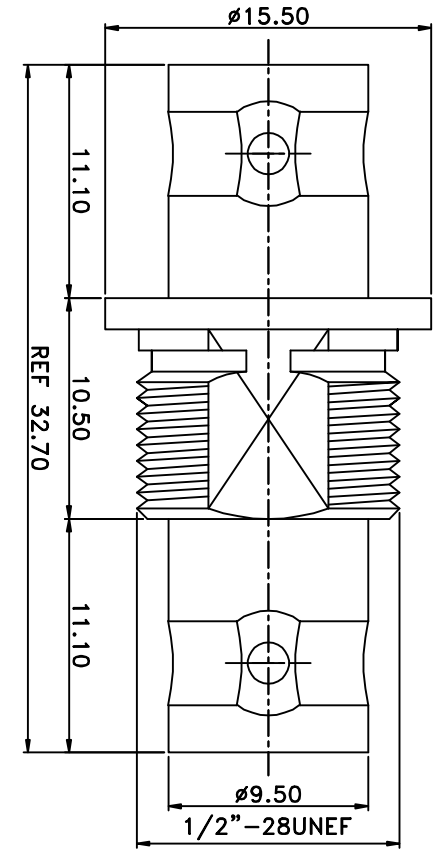


REV	DESCRIPTION	DRAWN	DATE



NO	Description	Qty	Material	Finish
7	PRESS FIT WASHER	2	BRASS	NICKEL
6	NUT	1	BRASS	NICKEL
5	WASHER	1	IRON	NICKEL
4	GASKET	1	RUBBER	RED
3	DIELECTRIC	2	DELIRIN	NONE
2	PIN	1	BRASS	GOLD
1	BODY	1	BRASS	NICKEL

R&D		* MAJOR DIMENSION	
UNLESS OTHERWISE NOTED		TOLERANCES	
0.5-6=±0.2		6-30=±0.4	
30-120=±0.6		120-315=±1.0	
ANGLES=±1°		SCALE	
4/1		UNIT	
MM		DRAWN DATE	
03/07/10		DRAWN	
PEN		CHECKED	
LYDIA		APPROVED	
CASH		TITLE	
BNC DOUBLE FEMALE BULKHEAD		DRAWING NO.	
BNC-1355-1-DGN		REV	
GL		A	

