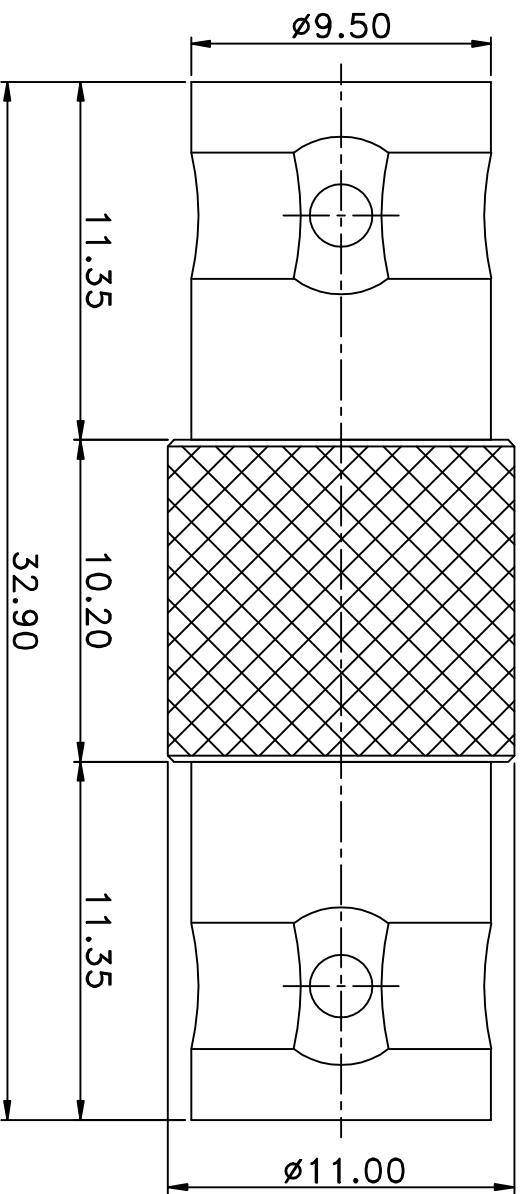
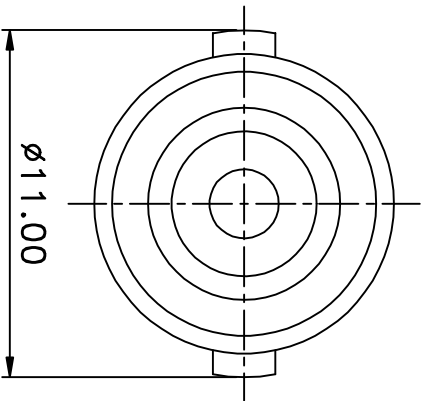
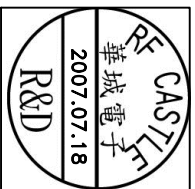


REV	DESCRIPTION	DRAWN	DATE



NO	Description	Qty	Material	Finish
4	DIELECTRIC	2	TEFLON	NONE
3	PIN	1	BRASS	GOLD
2	BODY	1	BRASS	NICKEL
1	BODY	2	BRASS	NICKEL



R&D

* MAJOR DIMENSION

UNLESS OTHERWISE NOTED TOLERANCES
 0.5-6=±0.2
 6-30=±0.4
 30-120=±0.6
 120-315=±1.0
 ANGLES=±1°

SCALE 9/2 UNIT MM

APPROVED
CASH

CHECKED
LYDIA

DRAWN
PEN

DRAWN DATE 07/07/18

RF Castle 華城電子有限公司
 RF CASTLE ELECTRONICS CO.,LTD

TITLE

BNC DOUBLE FEMALE

DRAWING NO.

BNC-1352-1-TGN

REV

GL A