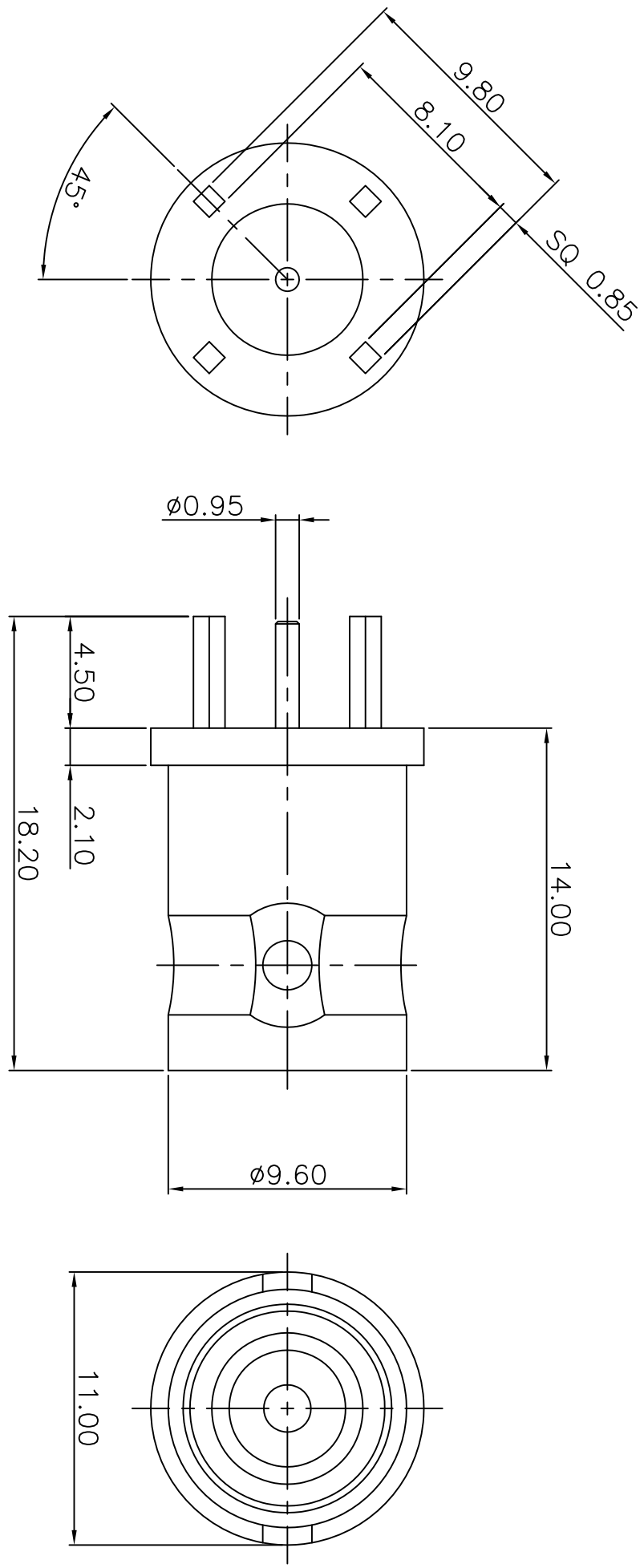


REV	DESCRIPTION	DRAWN	DATE



NO	Description	Qty	Material	Finish
3	DIELECTRIC	1	TEFLON	NONE
2	PIN	1	BRASS	GOLD
1	BODY	1	BRASS	NICKEL

R&D

* MAJOR DIMENSION
 UNLESS OTHERWISE NOTED TOLERANCES
 0.5-6 = ±0.2
 6-30 = ±0.4
 30-120 = ±0.6
 120-315 = ±1.0
 ANGLES = ±1.0

SCALE 4/1 UNIT MM

APPROVED
 CASH
 CHECKED
 LYDIA
 DRAWN
 PEN
 DRAWN DATE 09/03/13

TITLE
 BNC FEMALE PCB MOUNT
 DRAWING NO. BNC-1321-1-50-TGN
 REV GL A