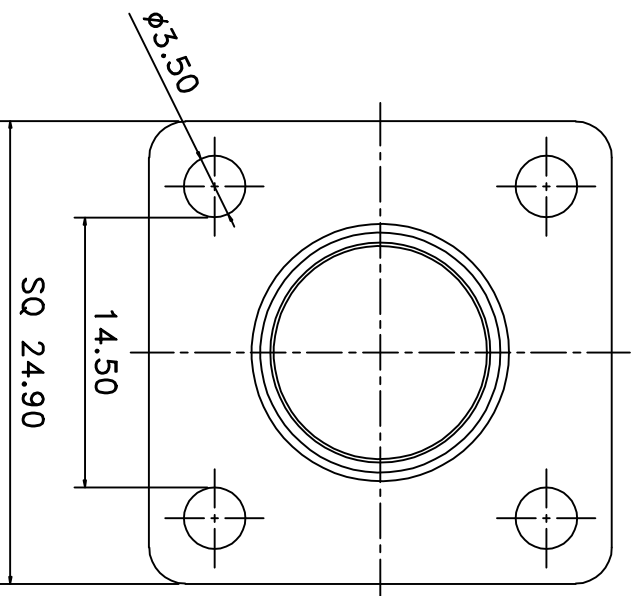
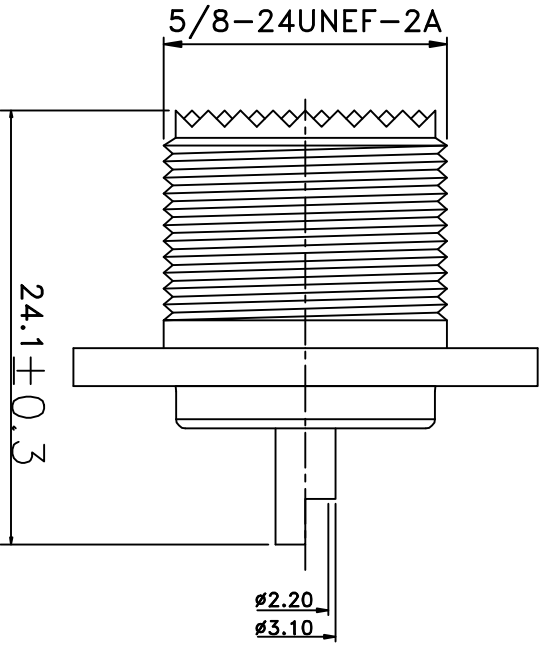


REV	DESCRIPTION	DRAWN	DATE



NO	Description	Qty	Material	Finish
3	DIELECTRIC(T-03010)	1	DELRIN	NONE
2	PIN(C-03013)	1	BRASS	NICKEL
1	BODY(B-03016-Z)	1	ZINC	NICKEL

R&D			
* MAJOR DIMENSION		UNLESS OTHERWISE NOTED TOLERANCES	
SCALE	3/1	UNIT	MM
APPROVED		DRAWN	
CASH		PEN	
CHECKED		DRAWN DATE	
LYDIA		04/10/12	
TITLE		DRAWING NO.	
UHF FEMALE SOLDER PANEL RECEPTACLE		UHF-1730-1-DNN	
		華城電子有限公司 RF CASTLE ELECTRONICS CO.,LTD	
REV		A	