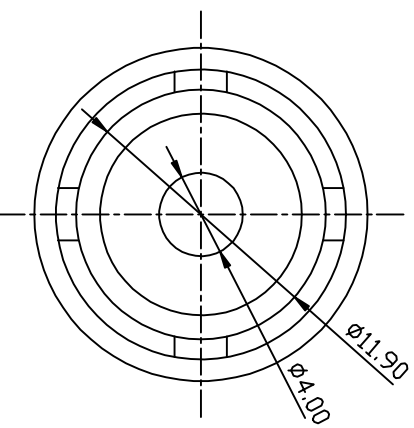
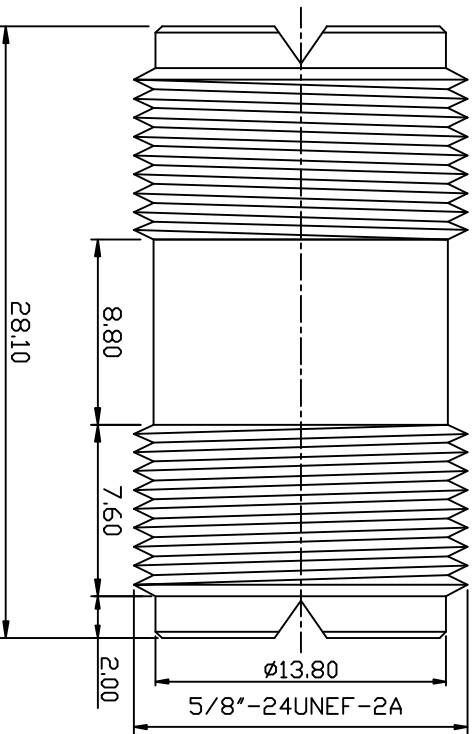
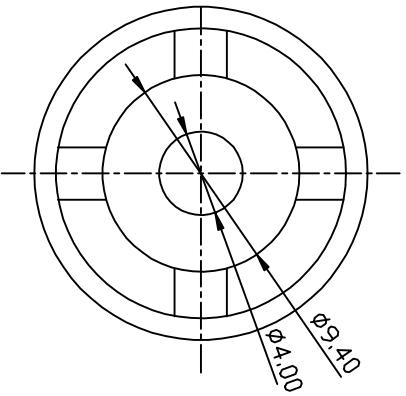



REV	DESCRIPTION	DRAWN	DATE



7	NUT	1	BRASS	NICKEL	<p style="text-align: center;">R & D</p> 	<p>* MAJOR DIMENSION</p> <p>UNLESS OTHERWISE NOTED</p> <p>TOLERANCES</p> <p>0.5-6=±0.2</p> <p>6-30=±0.4</p> <p>30-120=±0.6</p> <p>120-315=±1.0</p> <p>ANGLES=±1°</p>	<p>APPROVED</p> <p>CASH</p> <p>CHECKED</p> <p>LYDIA</p> <p>DRAWN</p> <p>KEVIN</p>	<p>TITLE</p> <p>UHF FEMALE TO UHF FEMALE ADAPTER</p> <p>DRAWING NO.</p> <p>UHF-1718-1-TGN</p>	<p>REV</p> <p>A</p>		
6	WASHER	1	BRASS	NICKEL							
5	DIELECTRIC	1	DELRIN	NONE							
4	DIELECTRIC	1	DELRIN	NONE							
3	DIELECTRIC	1	DELRIN	NONE							
2	PIN	1	BRASS	GOLD							
1	BDDY	1	BRASS	NICKEL							
NO	Description	Qty	Material	Finish	SCALE	4/1	UNIT	MM	DRAWN	DATE	04/02/10