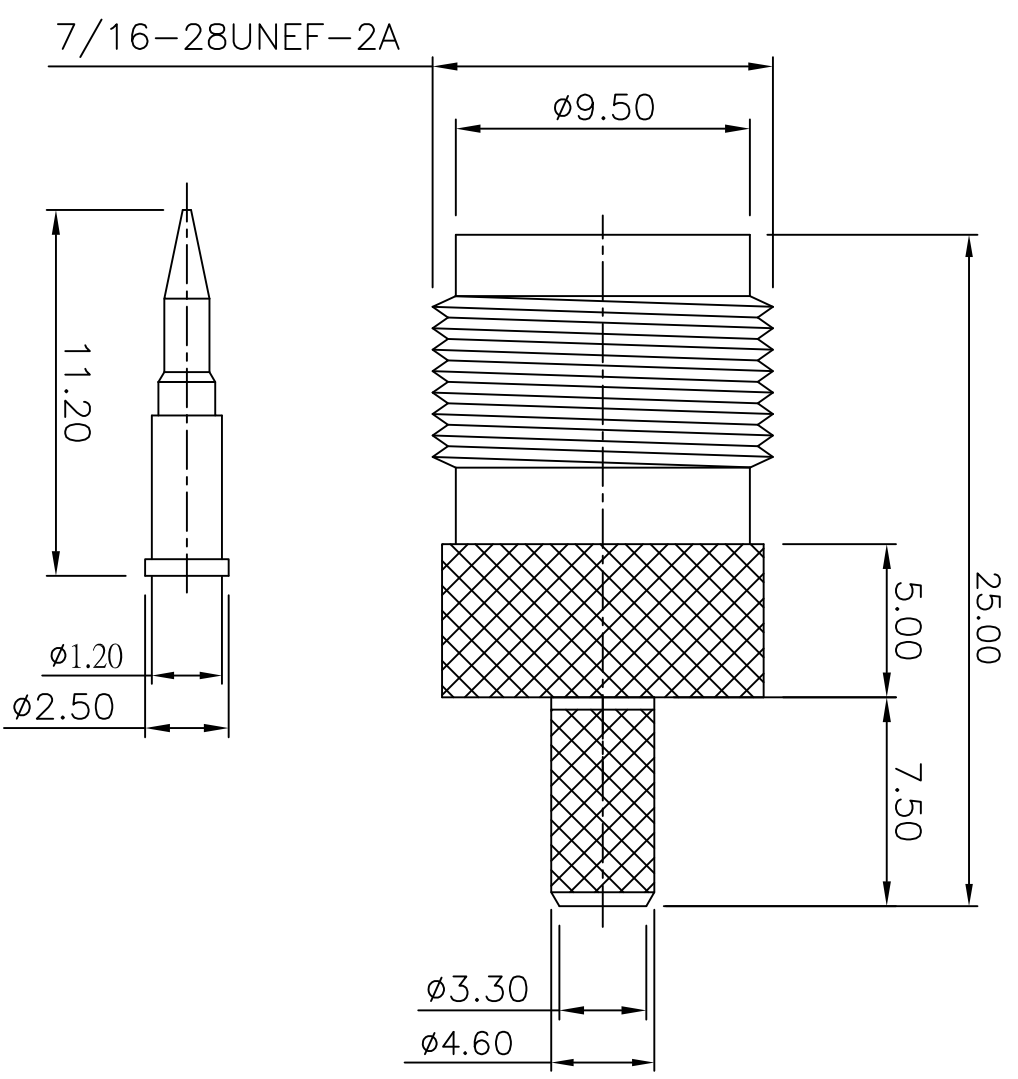
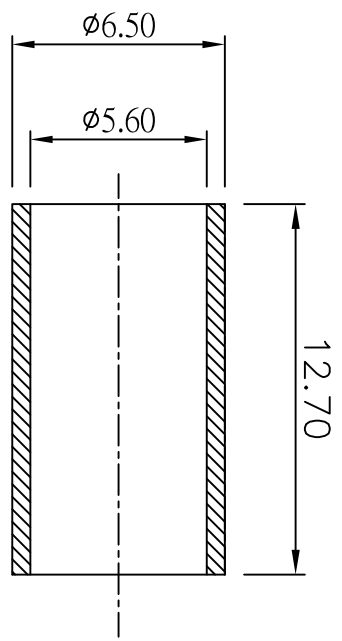



REV	DESCRIPTION	DRAWN	DATE




NO	Description	Qty	Material	Finish
3	DIELECTRIC	1	TEFLON	NONE
2	PIN	1	BRASS	GOLD
1	BODY	1	BRASS	Nickel

R&D



* MAJOR DIMENSION
 UNLESS OTHERWISE NOTED TOLERANCES
 0.5-6 = ±0.2
 6-30 = ±0.4
 30-120 = ±0.6
 120-315 = ±1.0
 ANGLES = ±1.0

APPROVED
CASH
 CHECKED
LYDIA
 DRAWN
PEN
 DRAWN DATE 09/03/13


華城電子有限公司
 RF CASTLE ELECTRONICS CO., LTD

TITLE
TNC FEMALE RP CRIMP
 DRAWING NO.
TNC-1512-4-F-RP-TGN
 REV
GL A