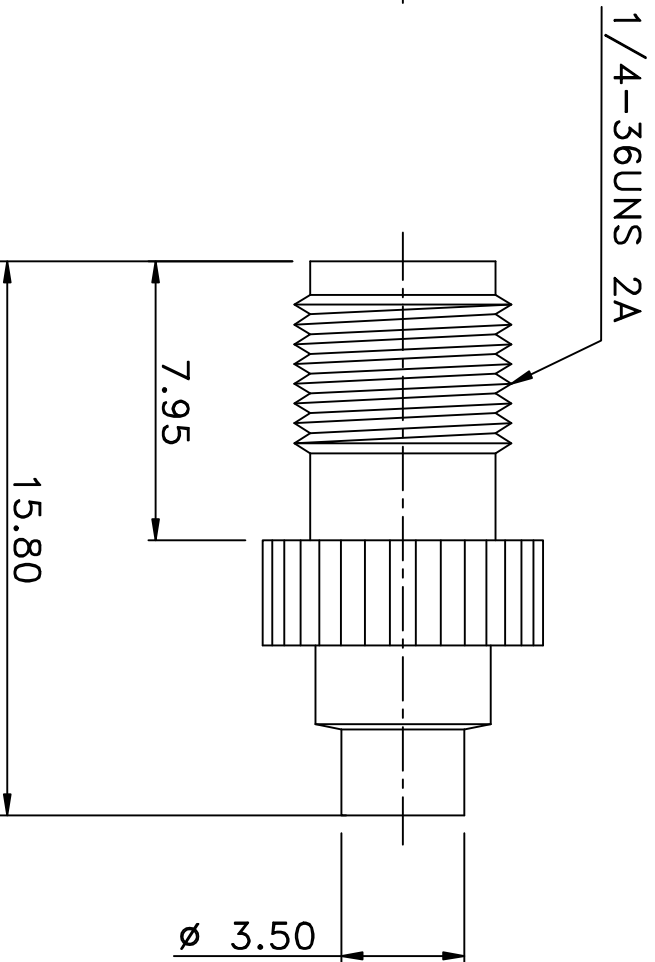
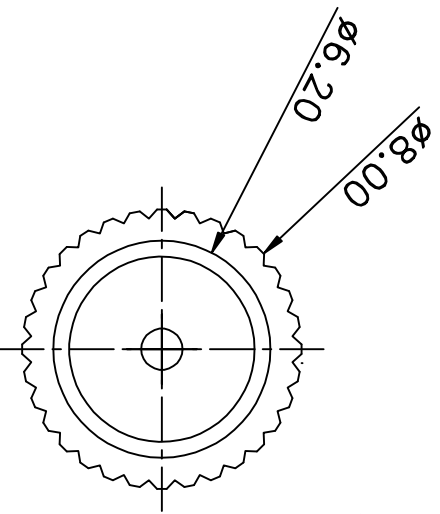


REV	DESCRIPTION	DRAWN	DATE



NO	Description	Qty	Material	Finish
3	DIELECTRIC	1	TEFLON	NONE
2	PIN	1	BRASS	GOLD
1	BODY	1	BRASS	GOLD

R&D		* MAJOR DIMENSION		APPROVED	
		UNLESS OTHERWISE NOTED TOLERANCES 0.5-6=±0.2 6-30=±0.4 30-120=±0.6 120-315=±1.0 ANGLES=±1°		CASH CHECKED LYDIA DRAWN KEVIN	
SCALE	5/1	UNIT	MM	DRAWN DATE	10/08/20
			TITLE SMA FEMALE TO MMCX FEMALE DRAWING NO. SMA-1063-1-TGG		
				REV	A