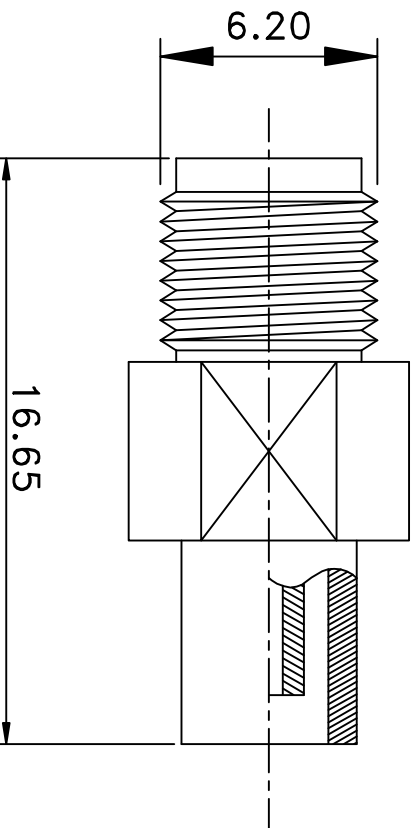
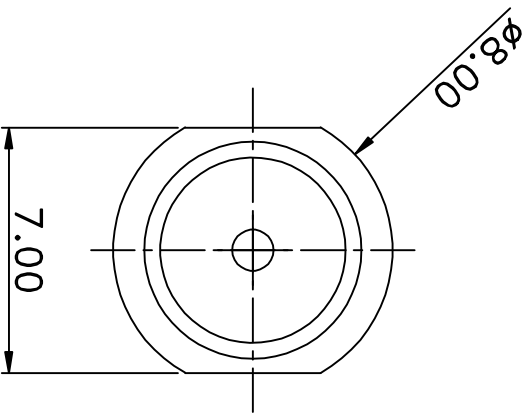
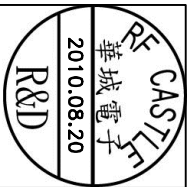


REV	DESCRIPTION	DRAWN	DATE



NO	Description	Qty	Material	Finish
3	DIELECTRIC	1	TEFLON	NONE
2	PIN	1	BRASS	GOLD
1	BODY	1	BRASS	GOLD

R&D



* MAJOR DIMENSION

UNLESS OTHERWISE NOTED TOLERANCES
 0.5-6=±0.2
 6-30=±0.4
 30-120=±0.6
 120-315=±1.0
 ANGLES=±1°

SCALE 5/1 UNIT MM

APPROVED
CASH

CHECKED
LYDIA

DRAWN
PEN

DRAWN DATE 10/08/20



TITLE

SMA FEMALE TO MCX FEMALE

DRAWING NO.

SMA-1059-1-TGG

REV

LY A