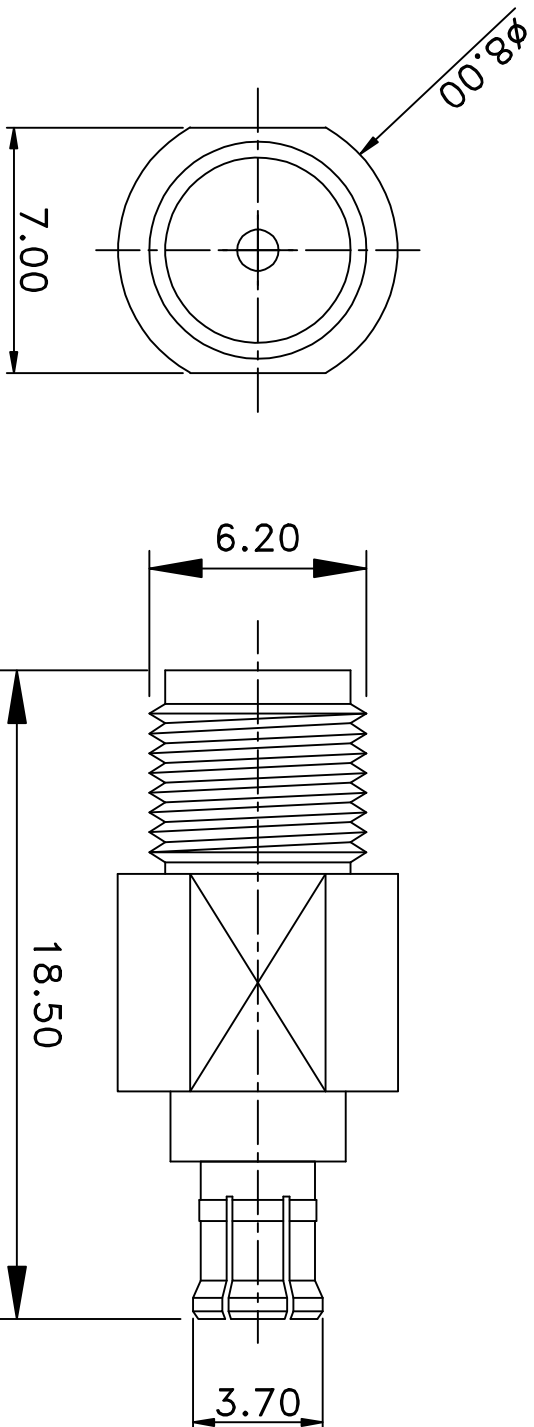
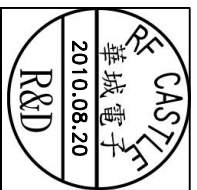


REV	DESCRIPTION	DRAWN	DATE



NO	Description	Qty	Material	Finish
3	DIELECTRIC	1	TEFLON	NONE
2	PIN	1	BRASS	GOLD
1	BODY	1	BRASS	GOLD



R&D

* MAJOR DIMENSION

UNLESS OTHERWISE NOTED TOLERANCES

0.5-6=±0.2
6-30=±0.4
30-120=±0.6
120-315=±1.0
ANGLES=±1°

SCALE 5/1 UNIT MM

APPROVED
CASH

CHECKED
LYDIA

DRAWN
PEN

DRAWN DATE 10/08/20



TITLE

SMA FEMALE TO MCX MALE

DRAWING NO.

SMA-1059-1-TGG

REV

GL A