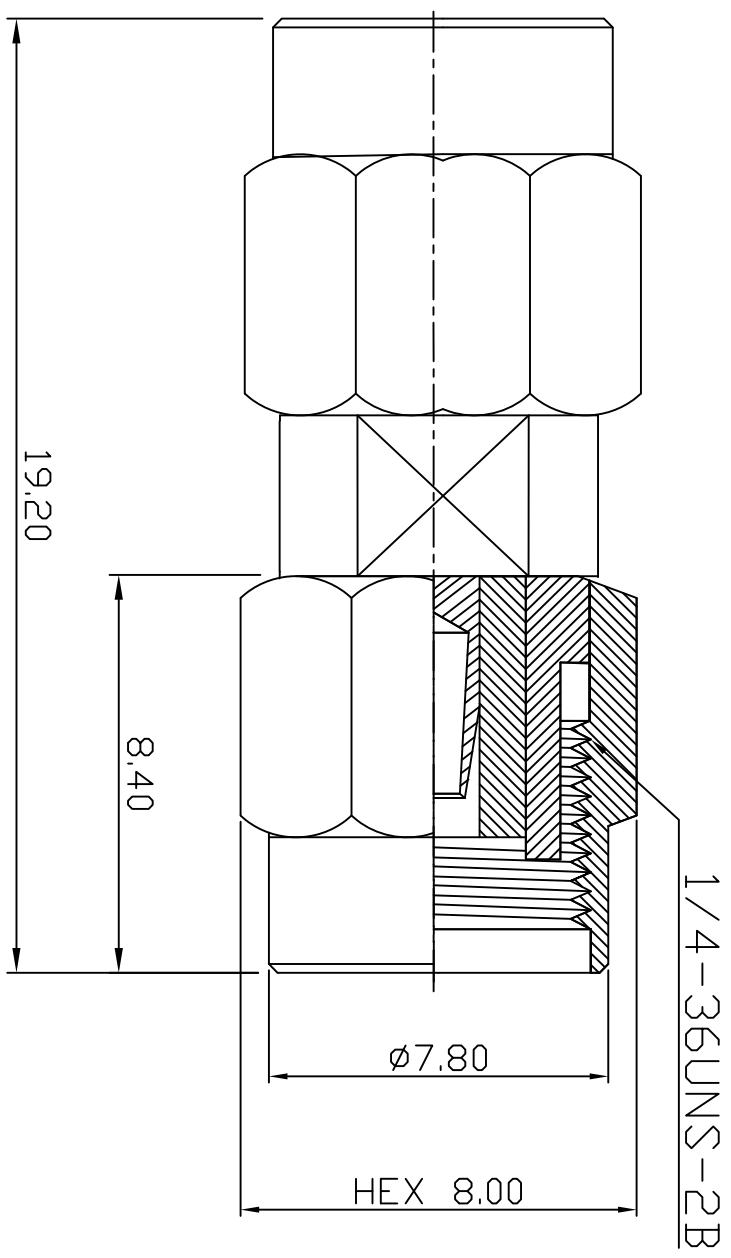


REV	DESCRIPTION	DRAWN	DATE



NO	Description	Qty	Material	Finish
3	DIELECTRIC	1	TEFLON	NONE
2	PIN	1	BRASS	GOLD
1	BODY	1	BRASS	GOLD

R&D

*MAJOR DIMENSION
 UNLESS OTHERWISE NOTED TOLERANCES
 0.5-6 = ±0.2
 6-30 = ±0.4
 30-120 = ±0.6
 120-315 = ±1.0
 ANGLES = ±1.0

SCALE	4/1	UNIT	MM
DRAWN	DATE	09/03/13	

APPROVED
CASH
 CHECKED
LYDIA
 DRAWN
PEN

TITLE
SMA MALE TO RP SMA MALE
 DRAWING NO.
SMA-1049-3-RP-TGC
 REV
LY A