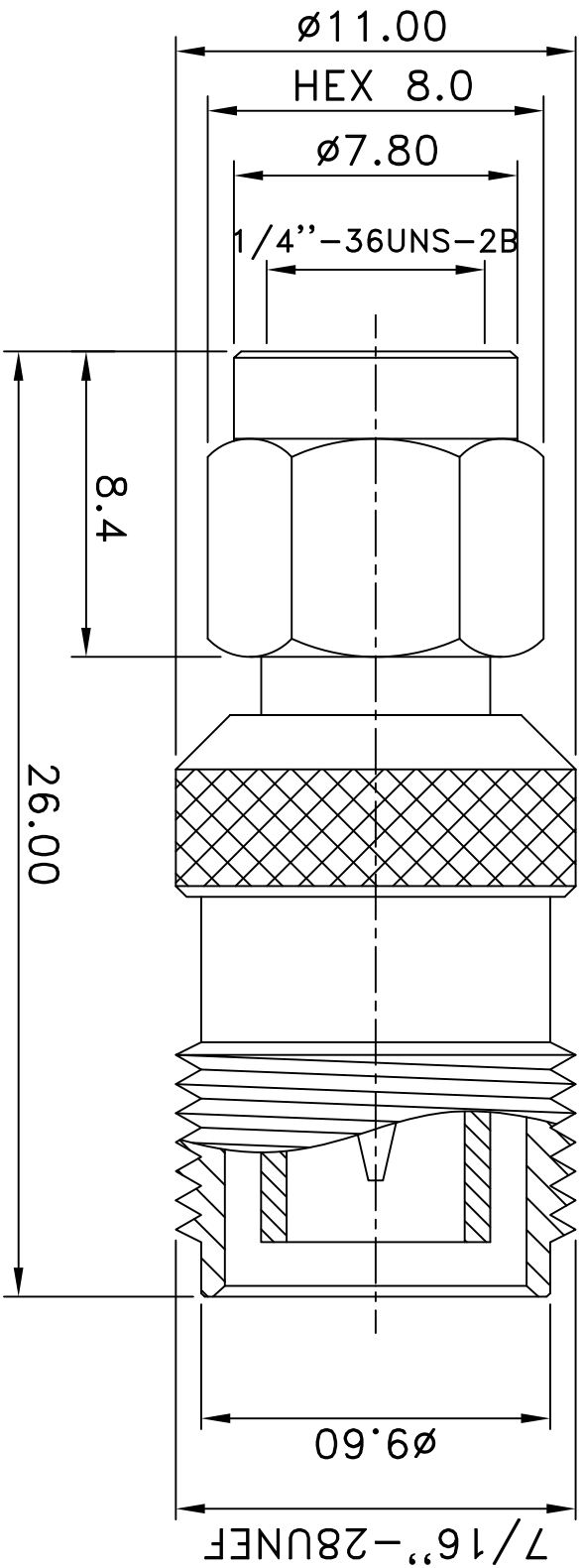


REV	DESCRIPTION	DRAWN	DATE



NO	Description	Qty	Material	Finish
3	DIELECTRIC	1	TEFLON	NONE
2	PIN	1	BRASS	GOLD
1	BODY	1	BRASS	NICKEL

R&D

* MAJOR DIMENSION	UNLESS OTHERWISE NOTED TOLERANCES 0.5-6=±0.2 6-30=±0.4 30-120=±0.6 120-315=±1.0 ANGLES=±1°
SCALE	5/1
UNIT	MM
DRAWN	KEVIN
DATE	01/28/13

RF CASTLE 華城電子有限公司
RF CASTLE ELECTRONICS CO., LTD

APPROVED
CASH
CHECKED
LYDIA

TITLE
SMA MALE TO TNC FEMALE RP ADAPTER
DRAWING NO.
SMA-1032-5-RP-TGN

REV
JL A