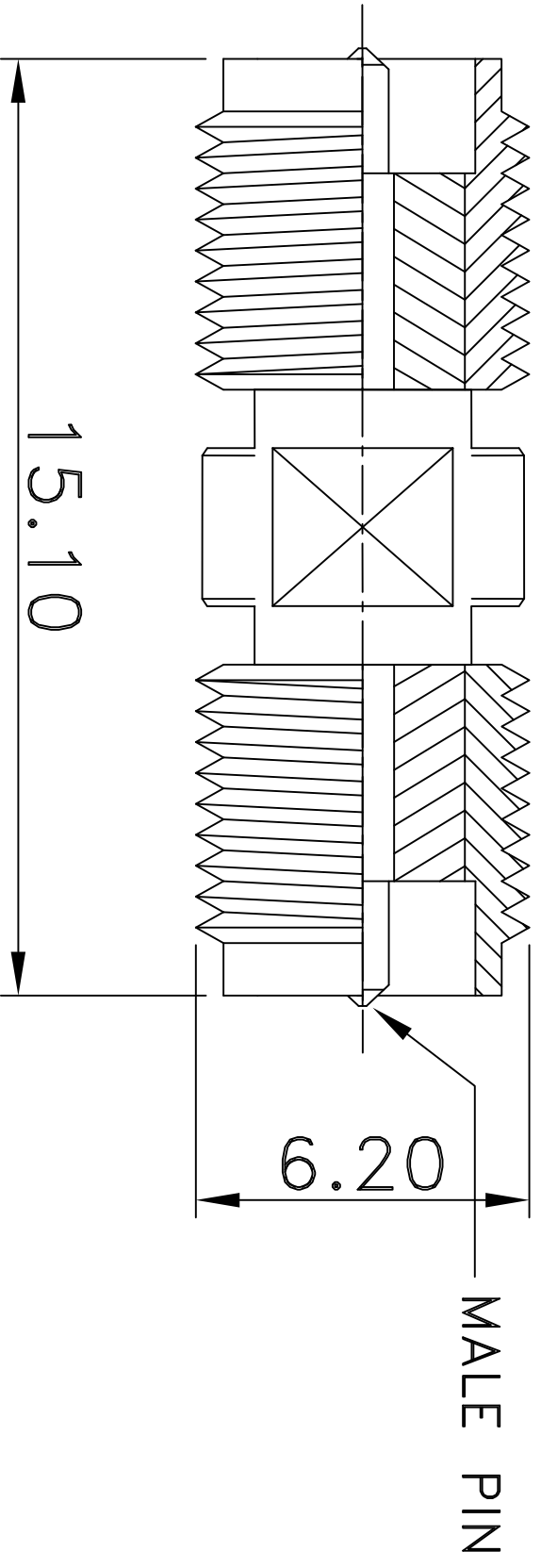


REV	DESCRIPTION	DRAWN	DATE



NO	Description	Qty	Material	Finish
3	DIELECTRIC	1	TEFLON	NONE
2	PIN	1	BRASS	GOLD
1	BODY	1	BRASS	GOLD

<b>R&amp;D</b>			
<p><b>* MAJOR DIMENSION</b></p> <p>UNLESS OTHERWISE NOTED TOLERANCES</p> <p>0.5-6 = ±0.2</p> <p>6-30 = ±0.4</p> <p>30-120 = ±0.6</p> <p>120-315 = ±1.0</p> <p>ANGLES = ±1.0</p>		<p><b>APPROVED</b></p> <p>CASH</p>	
SCALE	4/1	UNIT	MM
DRAWN		DRAWN DATE 09/03/13	
CHECKED		DRAWN	
LYDIA		PEN	
<p><b>TITLE</b></p> <p>SMA RP FEMALE TO SMA FEMALE RP</p> <p>DRAWING NO. SMA-1021-3-RP-TGG</p>			
REV		LY A	