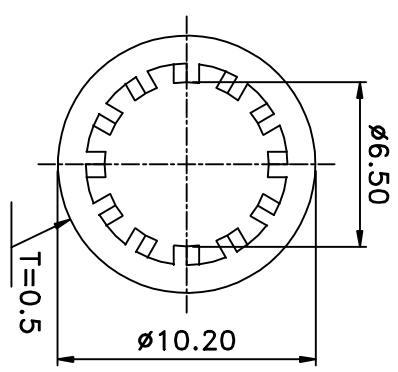
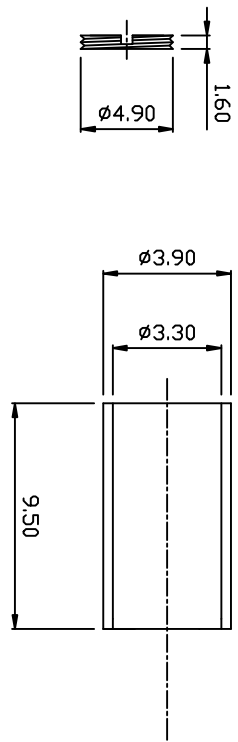
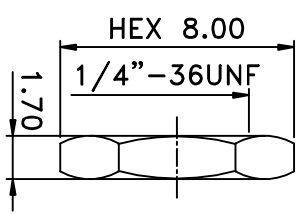
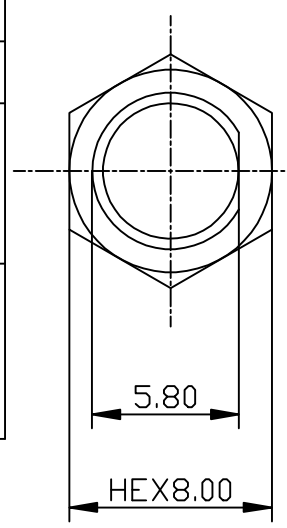
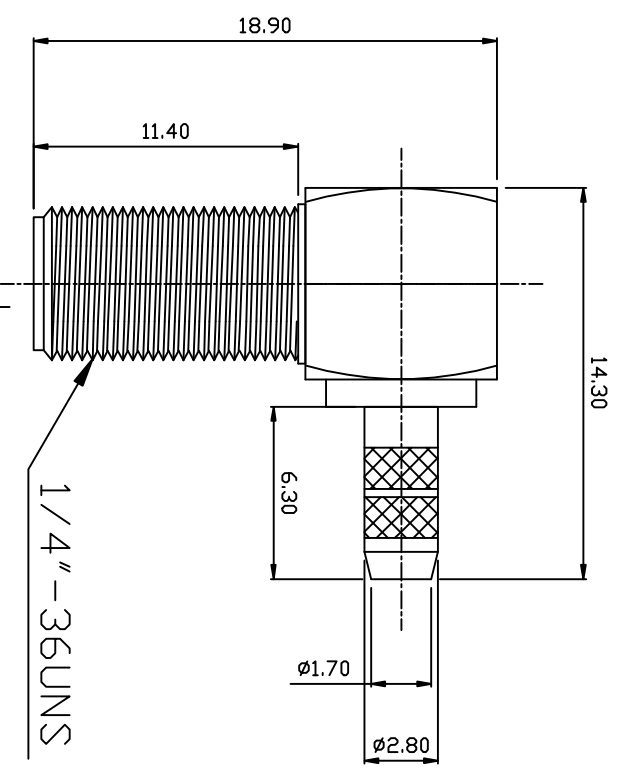
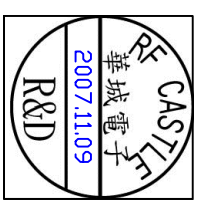


REV	DESCRIPTION	DRAWN	DATE



NO	Description	Qty	Material	Finish
9	NUT	1	BRASS	GOLD
8	WASHER	1	BRASS	GOLD
7	FERRULE	1	BRASS	GOLD
6	COVER	1	BRASS	GOLD
5	BARREL	1	BRASS	GOLD
4	PIN	1	BRASS	GOLD
3	INSULATOR	1	TEFLON	NONE
2	BODY	1	BRASS	GOLD
1	WASHER	1	BRASS	GOLD

R & D



* MAJOR DIMENSION

UNLESS OTHERWISE NOTED TOLERANCES
 0.5-6=±0.2
 6-30=±0.4
 30-120=±0.6
 120-315=±1.0
 ANGLES=±1°

SCALE 4/1 UNIT MM

APPROVED
CASH

CHECKED
LYDIA

DRAWN
PEN

DRAWN DATE 07/11/09



TITLE
SMA FEMALE R/A BULKHEAD CRIMP
DRAWING NO. SMA-1013-1-L-TGG
REV
LY A