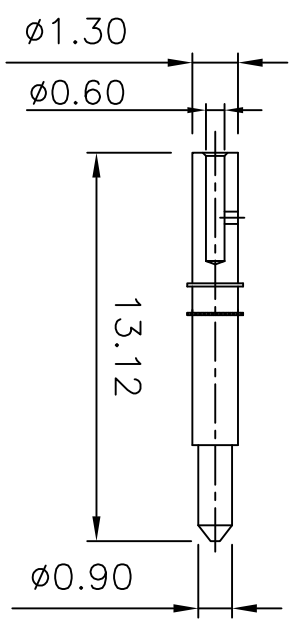
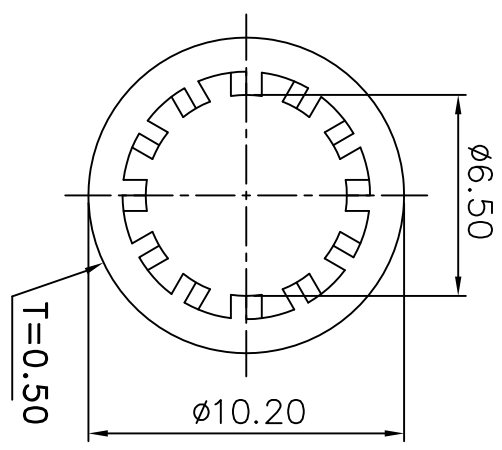
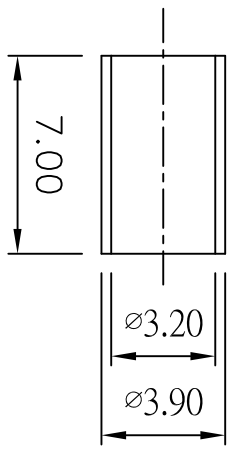
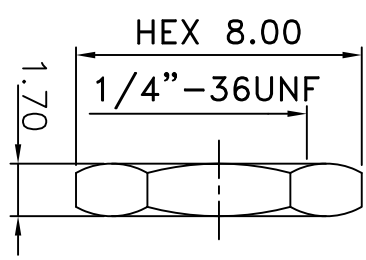
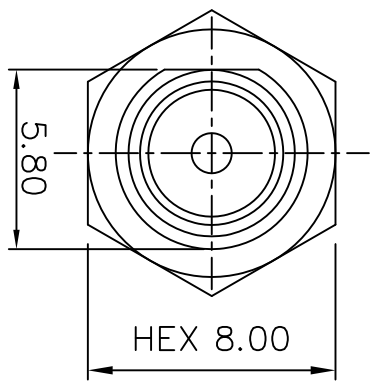
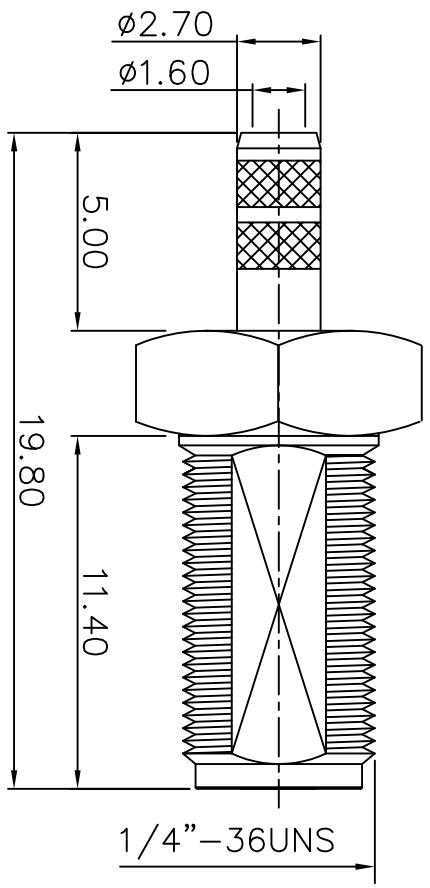


REV	DESCRIPTION	DRAWN	DATE



NO	Description	Qty	Material	Finish
3	DIELECTRIC	1	TEFLON	NONE
2	PIN	1	BERYLLIUM	GOLD
1	BODY	1	BRASS	GOLD

R&D

\* MAJOR DIMENSION  
 UNLESS OTHERWISE NOTED TOLERANCES  
 0.5-6 = ±0.2  
 6-30 = ±0.4  
 30-120 = ±0.6  
 120-315 = ±1.0  
 ANGLES = ±1°

APPROVED  
 CASH  
 CHECKED  
 LYDIA  
 DRAWN  
 PEN  
 DRAWN DATE 09/03/13

RF CASTLE 華城電子有限公司  
 RF CASTLE ELECTRONICS CO., LTD

TITLE  
 SMA FEMALE RP BULKHEAD CRIMP

DRAWING NO.  
 SMA-1012-52-L-RP-TGGLY A

REV  
 A

SCALE	4/1	UNIT	MM
-------	-----	------	----