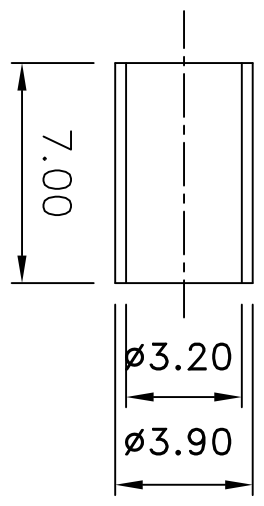
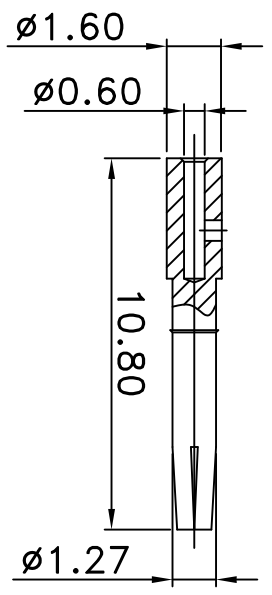
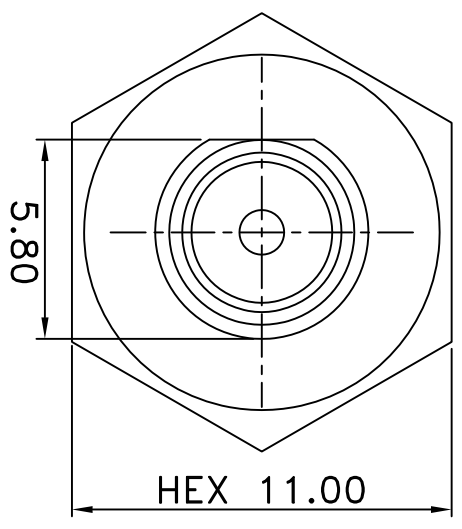
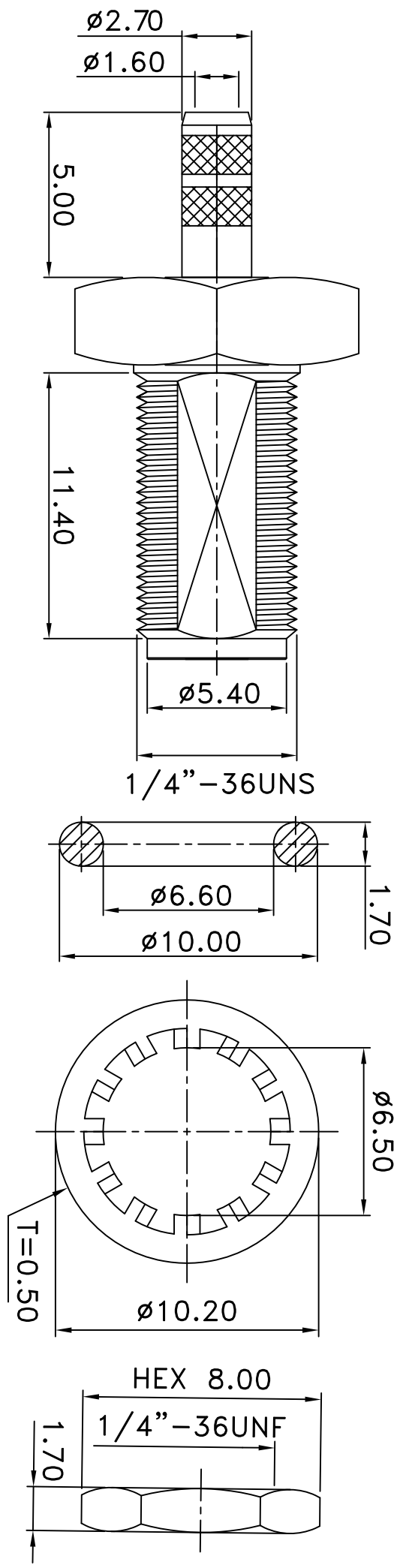
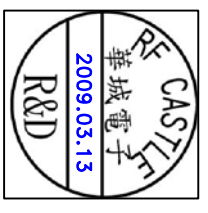


REV	DESCRIPTION	DRAWN	DATE



NO	Description	Qty	Material	Finish
3	DIELECTRIC	1	TEFLON	NONE
2	PIN	1	BERYLLIUM	GOLD
1	BODY	1	BRASS	GOLD

R&D



* MAJOR DIMENSION

UNLESS OTHERWISE NOTED TOLERANCES
 0.5-6 = ± 0.2
 6-30 = ± 0.4
 30-120 = ± 0.6
 120-315 = ± 1.0
 ANGLES = ± 1.0

SCALE	UNIT	MM
4/1	MM	

APPROVED
CASH

CHECKED
LYDIA

DRAWN
PEN

DRAWN DATE 09/03/13



TITLE
SMA FEMALE BULKHEAD CRIMP

DRAWING NO.
SMA-1012-47-L-TGG

REV
LY A