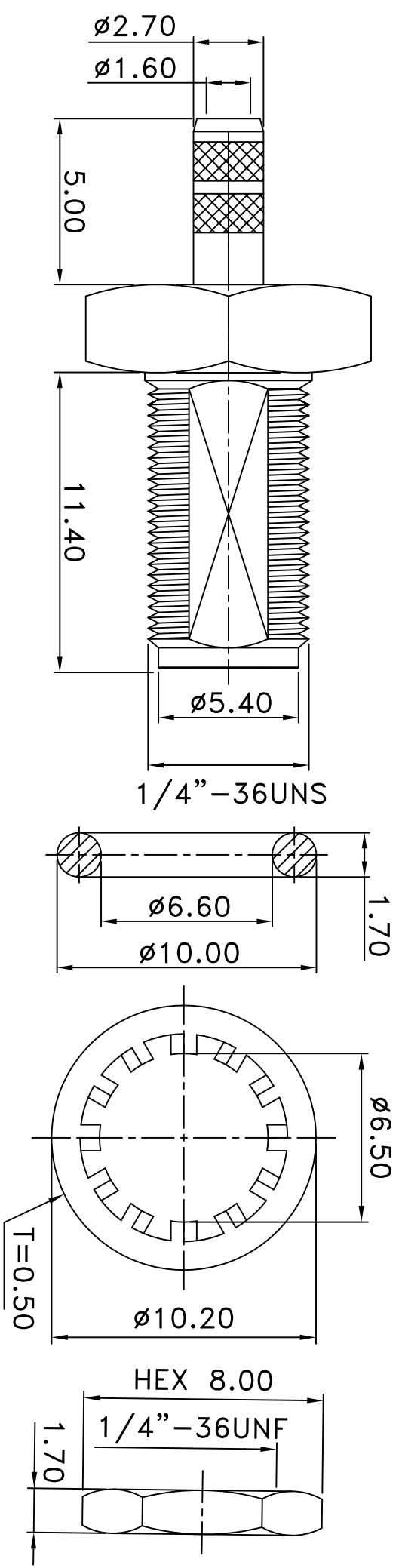


REV	DESCRIPTION	DRAWN	DATE



NO	Description	Qty	Material	Finish
3	DIELECTRIC	1	TEFLON	NONE
2	PIN	1	BERYLLIUM	GOLD
1	BODY	1	BRASS	GOLD

R&D

*** MAJOR DIMENSION**

UNLESS OTHERWISE NOTED TOLERANCES
 0.5-6 = ± 0.2
 6-30 = ± 0.4
 30-120 = ± 0.6
 120-315 = ± 1.0
 ANGLES = $\pm 1^\circ$

SCALE 4/1 UNIT MM

APPROVED	CHECKED	DRAWN	DRAWN DATE
CASH	LYDIA	PEN	09/03/13

RF CASTLE 華城電子有限公司
 RF CASTLE ELECTRONICS CO., LTD

TITLE: SMA FEMALE RP BULKHEAD CRIMP

DRAWING NO.: SMA-1012-46-L-RP-TGGLY

REV: A