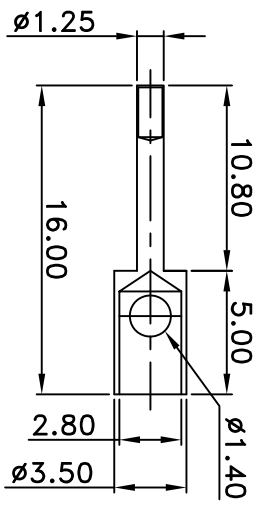
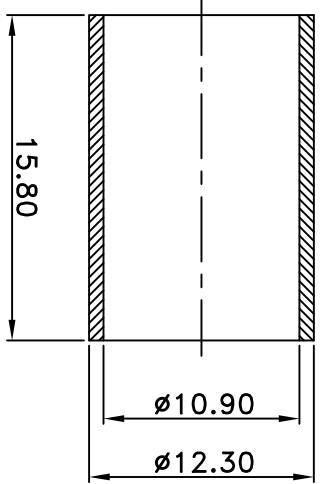
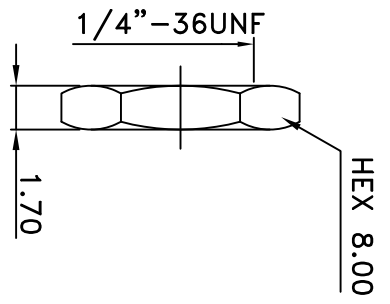
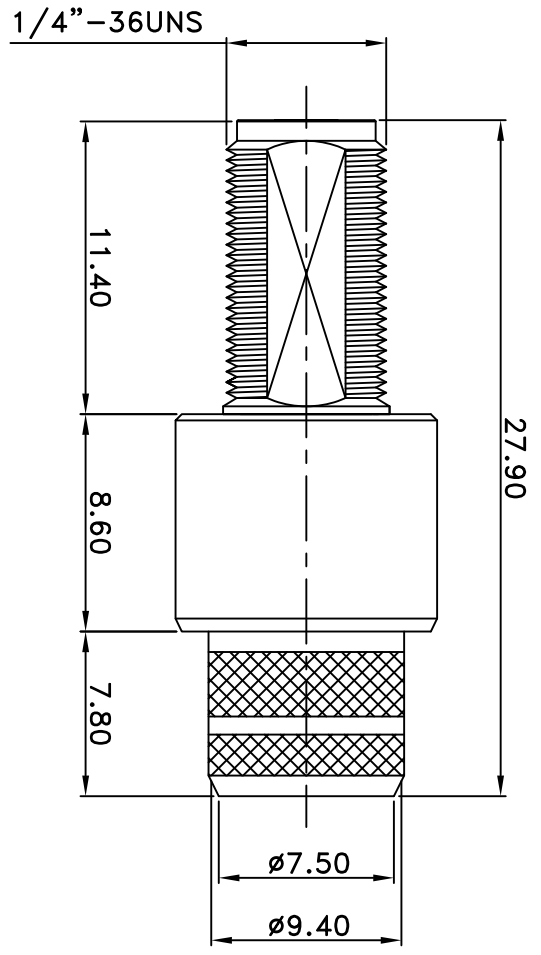
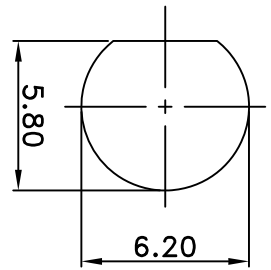
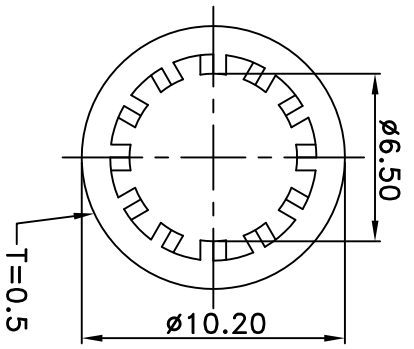


| REV | DESCRIPTION | DRAWN | DATE |
|-----|-------------|-------|------|
|     |             |       |      |
|     |             |       |      |



| NO | Description | Qty | Material | Finish |
|----|-------------|-----|----------|--------|
| 3  | WASHER      | 1   | BRASS    | NICKEL |
| 2  | PIN         | 1   | BRASS    | GOLD   |
| 1  | BODY        | 1   | BRASS    | NICKEL |

R&D



\* MAJOR DIMENSION

UNLESS OTHERWISE NOTED TOLERANCES  
 0.5-6 = ±0.2  
 6-30 = ±0.4  
 30-120 = ±0.6  
 120-315 = ±1.0  
 ANGLES = ±1.0

|            |          |      |    |
|------------|----------|------|----|
| SCALE      | 4/1      | UNIT | MM |
| DRAWN DATE | 09/03/13 |      |    |

APPROVED  
CASH

CHECKED  
LYDIA

DRAWN  
PEN

**RF CASTLE** 華城電子有限公司  
 RF CASTLE ELECTRONICS CO., LTD

TITLE  
SMA FEMALE BULKHEAD CRIMP

DRAWING NO.  
SMA-1012-39-B4-TGN

REV  
LY A