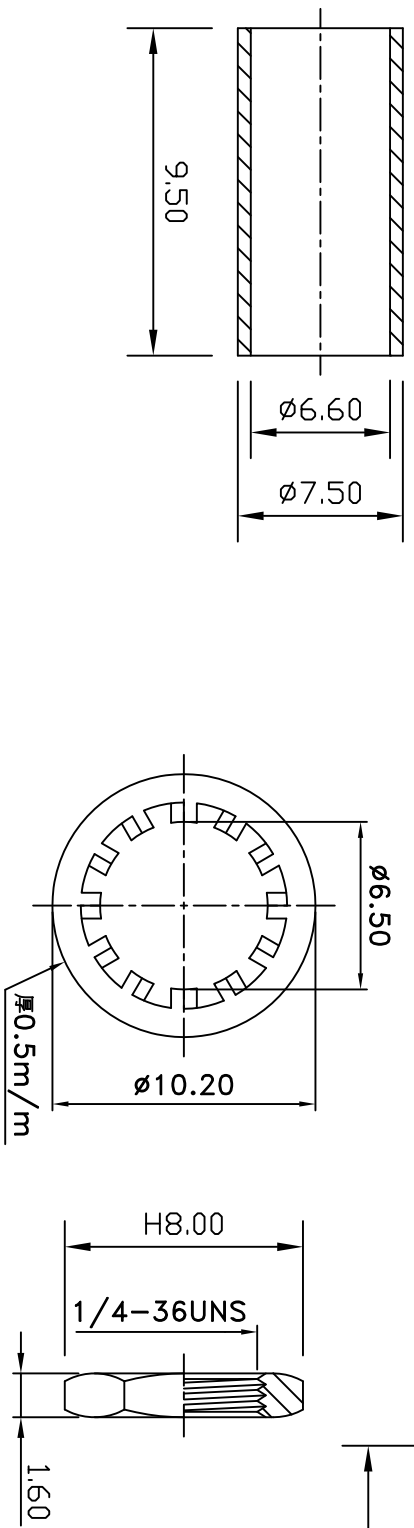
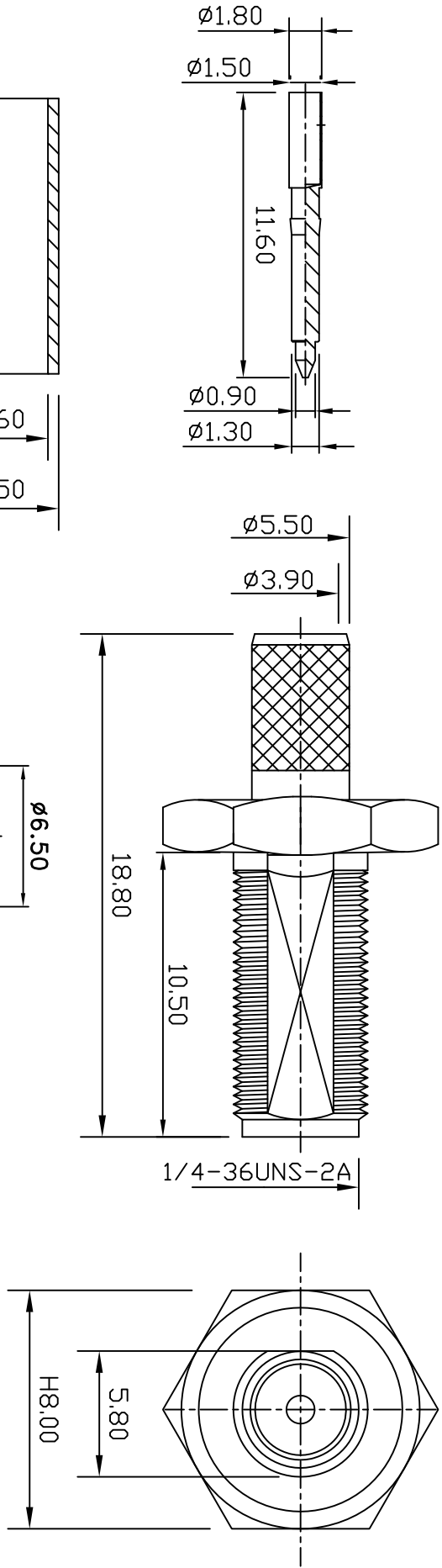
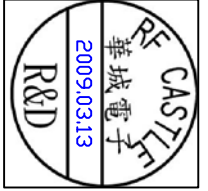


REV	DESCRIPTION	DRAWN	DATE



NO	Description	Qty	Material	Finish
3	DIELECTRIC	1	TEFLON	NONE
2	PIN	1	BRASS	GOLD
1	BDDY	1	BRASS	GOLD

R&D



* MAJOR DIMENSION

UNLESS OTHERWISE NOTED TOLERANCES
 0.5-6 = ±0.2
 6-30 = ±0.4
 30-120 = ±0.6
 120-315 = ±1.0
 ANGLES = ±1.0

SCALE 4/1 UNIT MM

APPROVED
 CASH

CHECKED
 LYDIA

DRAWN
 PEN

RF CASTLE 華城電子有限公司
 RF CASTLE ELECTRONICS CO., LTD

TITLE
 SMA FEMALE RP BULKHEAD CRIMP
 DRAWING NO.
 SMA-1012-37-G-RP-TGG
 REV
 SL A

DRAWN DATE 09/03/13