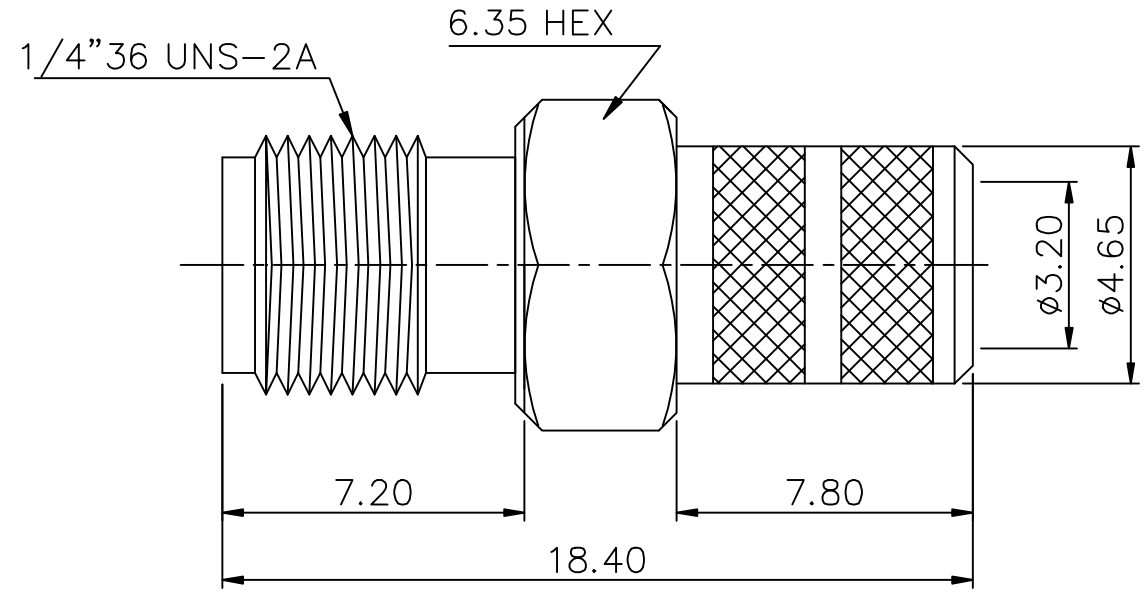
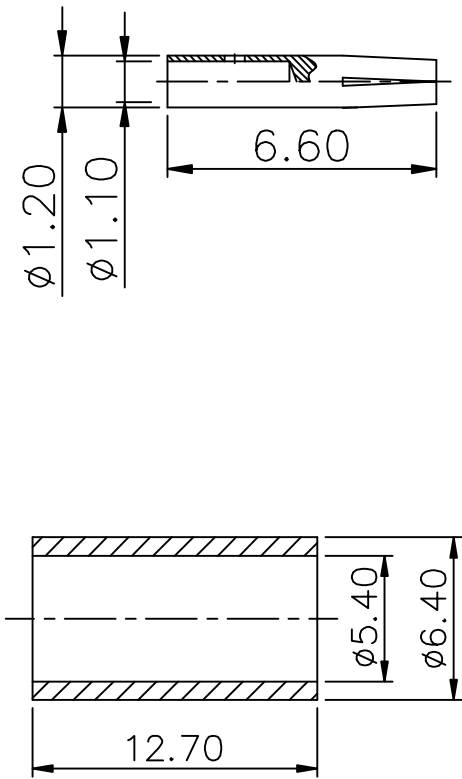


REV	DESCRIPTION	DRAWN	DATE



NO	Description	Qty	Material	Finish
4	FERRULE	1	COPPER	GOLD
3	DIELECTRIC	1	TEFLON	NONE
2	PIN	1	BRASS	GOLD
1	BODY	1	BRASS	GOLD

R&D

* MAJOR DIMENSION

UNLESS OTHERWISE NOTED TOLERANCES

0.5-6=±0.2

6-30=±0.4

30-120=±0.6

120-315=±1.0

ANGLES=±1°

APPROVED

CASH

CHECKED

LYDIA

DRAWN

PEN

SCALE	6/1	UNIT	MM	DRAWN DATE	08/07/09
-------	-----	------	----	------------	----------

華城電子有限公司
RF CASTLE ELECTRONICS CO.,LTD

TITLE
SMA FEMALE CRIMP TYPE

DRAWING NO.	SMA-1011-8-F-TGG	REV	LY A
-------------	------------------	-----	------