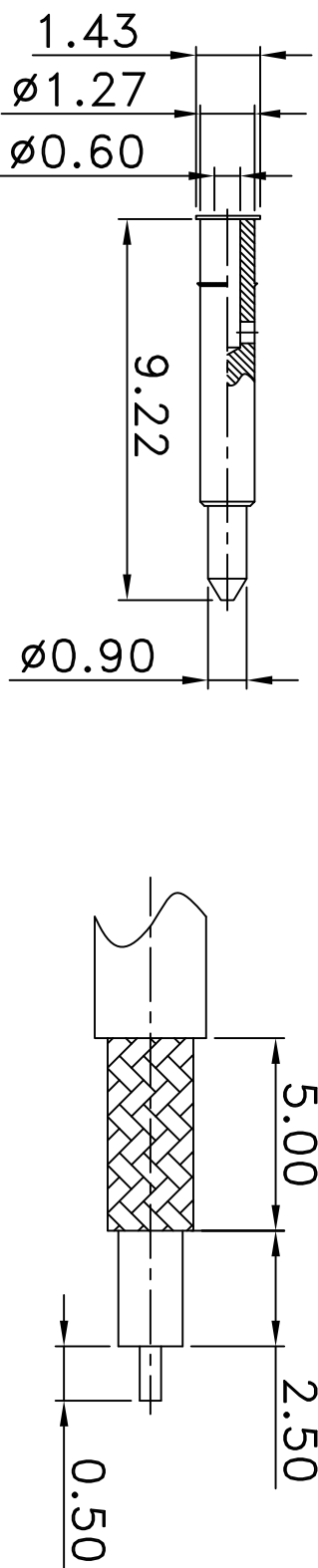
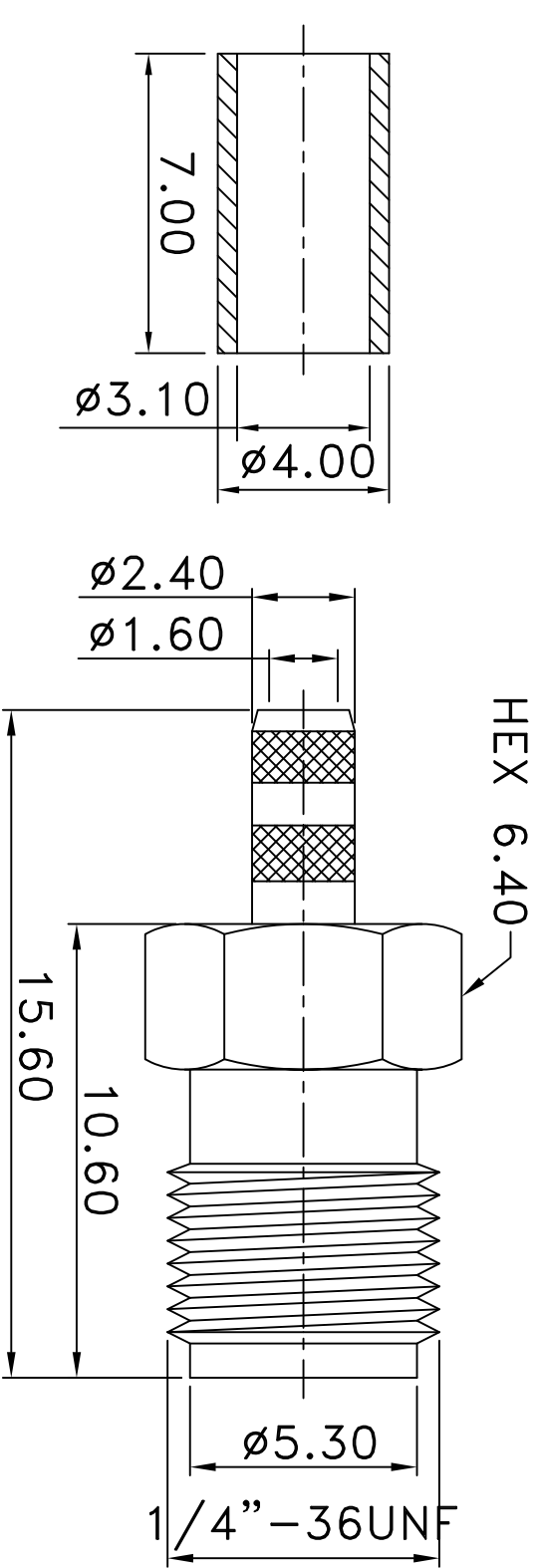


REV	DESCRIPTION	DRAWN	DATE



NO	Description	Qty	Material	Finish
3	DIELECTRIC	1	TEFLON	NONE
2	PIN	1	BRASS	GOLD
1	BODY	1	BRASS	GOLD

**R&D**

**\* MAJOR DIMENSION**

UNLESS OTHERWISE NOTED TOLERANCES  
 0.5-6 = ±0.2  
 6-30 = ±0.4  
 30-120 = ±0.6  
 120-315 = ±1.0  
 ANGLES = ±1.0

SCALE 4/1 UNIT MM

**APPROVED**  
 CASH

**CHECKED**  
 LYDIA

**DRAWN**  
 PEN

**DRAWN DATE** 09/03/13

**TITLE**  
 SMA FEMALE RP CRIMP TYPE

**DRAWING NO.**  
 SMA-1011-2-L-RP-TGG

**REV**  
 LY A

**RF CASTLE 華城電子有限公司**  
 RF CASTLE ELECTRONICS CO., LTD