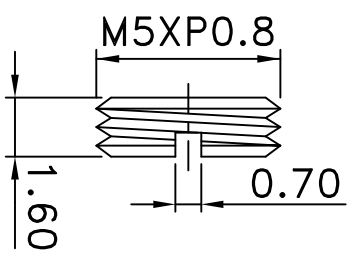
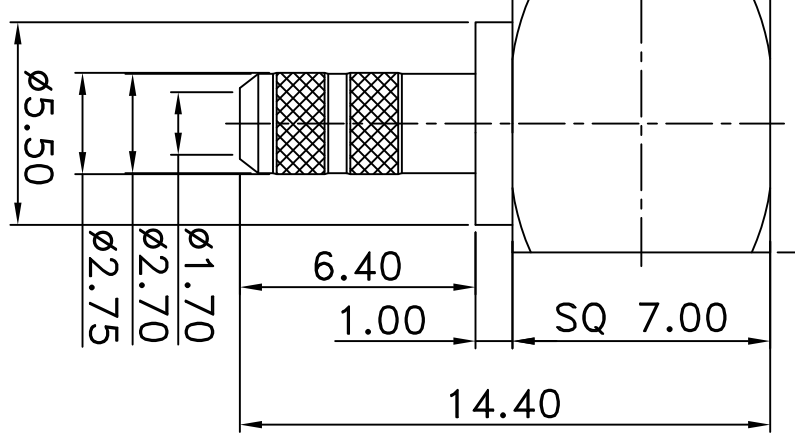
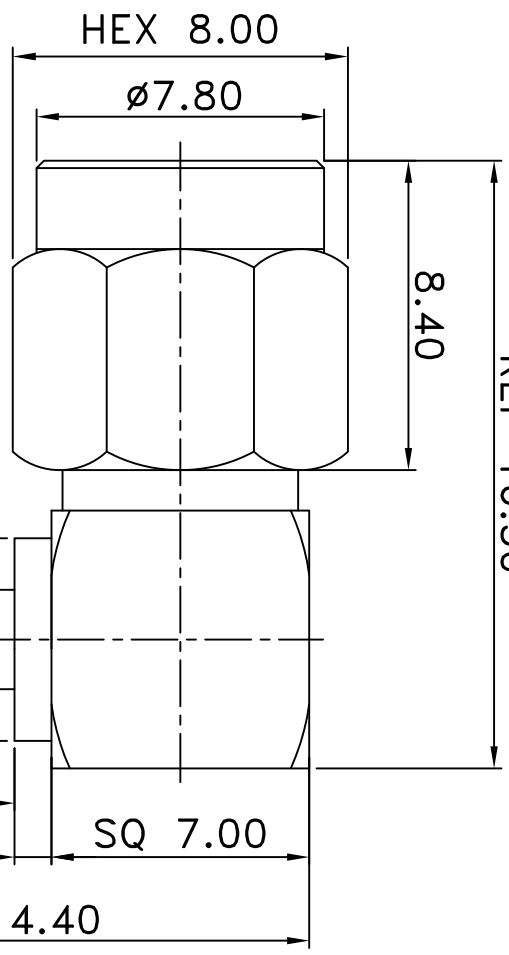
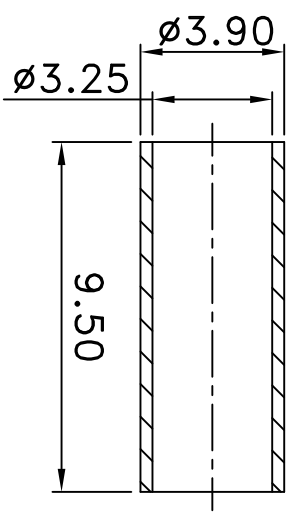


REV	DESCRIPTION	DRAWN	DATE



NO	Description	Qty	Material	Finish
3	DIELECTRIC	1	TEFLON	GOLD
2	PIN	1	BRASS	GOLD
1	BODY	1	BRASS	GOLD

R&D



\* MAJOR DIMENSION

UNLESS OTHERWISE NOTED TOLERANCES  
 0.5-6 =  $\pm 0.2$   
 6-30 =  $\pm 0.4$   
 30-120 =  $\pm 0.6$   
 120-315 =  $\pm 1.0$   
 ANGLES =  $\pm 1^\circ$

SCALE 4/1 UNIT MM

APPROVED  
 CASH

CHECKED  
 LYDIA

DRAWN  
 PEN

DRAWN DATE 09/03/13

RF Castle 華城電子有限公司  
 RF CASTLE ELECTRONICS CO., LTD

TITLE  
 RIGHT ANGLE SMA MALE CRIMP TYPE  
 DRAWING NO. SMA-1002-1-L-TGG  
 REV LY A