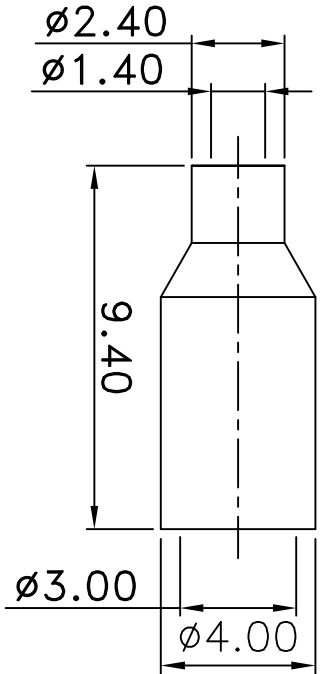
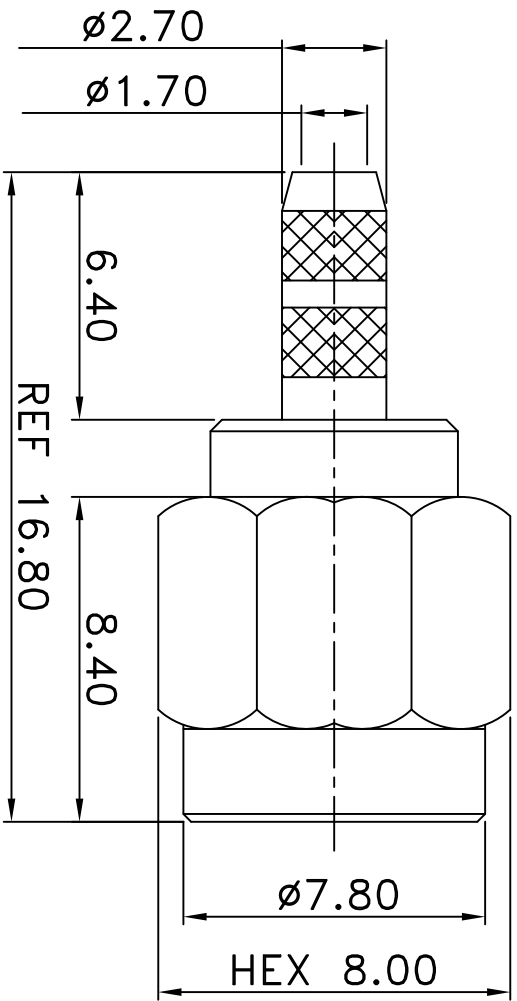
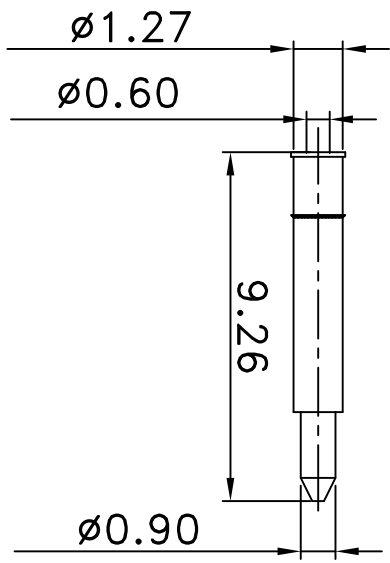


REV	DESCRIPTION	DRAWN	DATE



NO	Description	Qty	Material	Finish
3	DIELECTRIC	1	TEFLON	NONE
2	PIN	1	BRASS	GOLD
1	BODY	1	BRASS	GOLD

R&D



\* MAJOR DIMENSION

UNLESS OTHERWISE NOTED TOLERANCES  
0.5-6 =  $\pm 0.2$   
6-30 =  $\pm 0.4$   
30-120 =  $\pm 0.6$   
120-315 =  $\pm 1.0$   
ANGLES =  $\pm 1.0$

SCALE 4/1 UNIT MM

APPROVED

CASH

CHECKED

LYDIA

DRAWN

PEN

DRAWN DATE 09/03/13

RF CASTLE 華城電子有限公司  
RF CASTLE ELECTRONICS CO., LTD

TITLE

SMA MALE CRIMP TYPE

DRAWING NO.

SMA-1001-4-1-TGG

REV

LY A