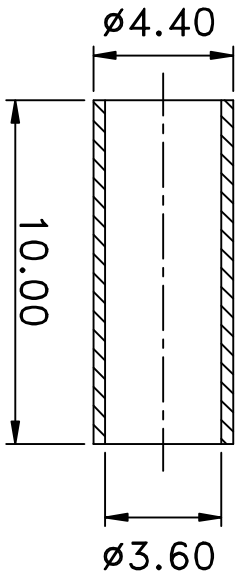
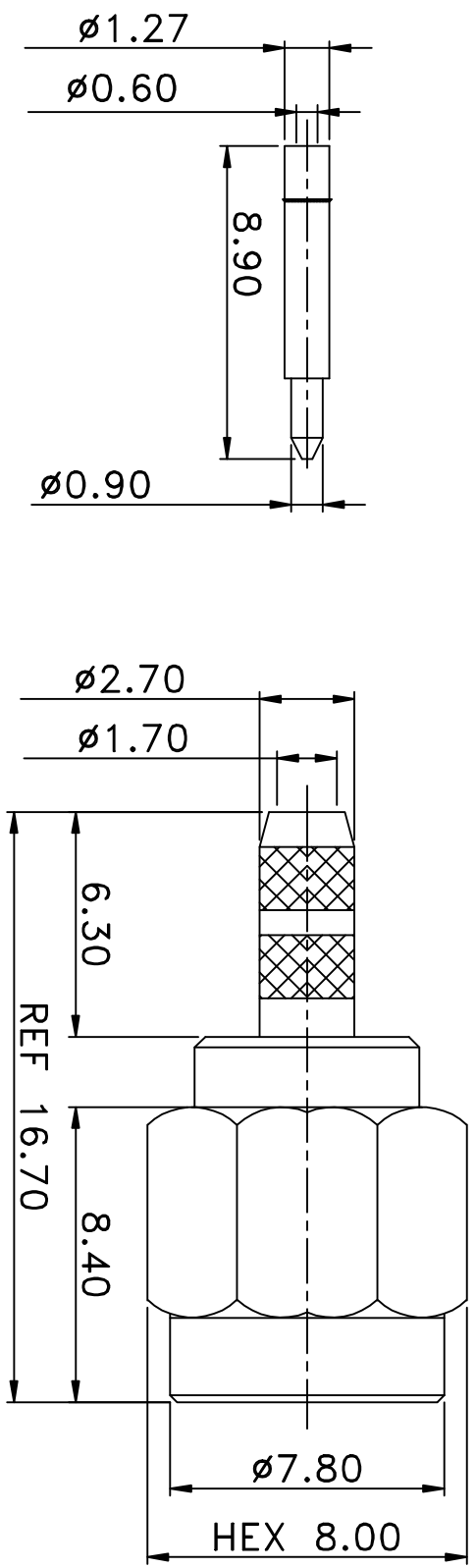


REV	DESCRIPTION	DRAWN	DATE



NO	Description	Qty	Material	Finish
7	SHELL	1	BRASS	GOLD
6	GASKET	1	SI-RUBBER	NONE
5	RETAINING RING	1	BRASS	GOLD
4	FERRULE	1	COPPER	GOLD
3	DIELECTRIC	1	TEFLON	NONE
2	PIN	1	BRASS	GOLD
1	BODY	1	BRASS	GOLD

R&D	
* MAJOR DIMENSION	
UNLESS OTHERWISE NOTED TOLERANCES	
0.5-6=±0.2	
6-30=±0.4	
30-120=±0.6	
120-315=±1.0	
ANGLES=±1°	
SCALE	4/1
UNIT	MM
APPROVED	
CASH	
CHECKED	
LYDIA	
DRAWN	
PEN	
DRAWN DATE 08/11/17	
華城電子有限公司 RF CASTLE ELECTRONICS CO.,LTD	
TITLE	
SMA MALE CRIMP FOR RG316DS TYPE	
DRAWING NO.	
SMA-1001-22-L-TGG	
REV	
GL A	