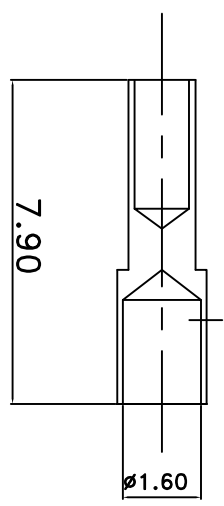
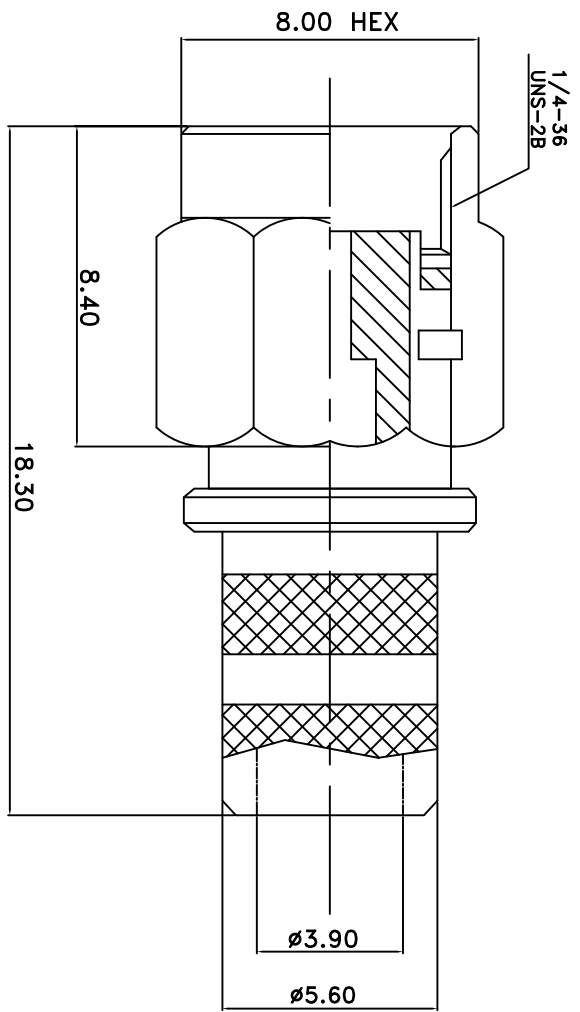


REV	DESCRIPTION	DRAWN	DATE



NO	Description	Qty	Material	Finish
3	DIELECTRIC	1	TEFLON	WHITE
2	PIN	1	phosphor	GOLD
1	BODY	1	BRASS	GOLD

R&D



* MAJOR DIMENSION

UNLESS OTHERWISE NOTED TOLERANCES
 0.5-6 = ±0.2
 6-30 = ±0.4
 30-120 = ±0.6
 120-315 = ±1.0
 ANGLES = ±1.0

SCALE	4/1	UNIT	MM	DRAWN DATE	09/03/13
-------	-----	------	----	------------	----------

APPROVED
CASH

CHECKED
LYDIA

DRAWN
PEN

RF Castle 華城電子有限公司
 RF CASTLE ELECTRONICS CO., LTD

TITLE
 RP SMA PLUG CRIMP TYPE(H155)

DRAWING NO.
 SMA-1001-15-G-RP-TGG

REV
 LY A