

Yagi Antenna 890~960MHz 14dBi for N FEMALE

HYA-900-14-01

APPLICATIONS AND FEATURES

Applications:

- 890MHz~960MHz 14dbi ISM Band
- GSM, ISM, NLOS, RFID
- Directional and multipoint applications
- Public Wireless Hotspot
- Wireless Video Systems

Features :

- Superior Performance
- The Weight is light
- Good appearance designs
- Installed for vertical or horizontal polarization
- Heavy Duty mounting
- RoHS Compliant



SPECIFICATIONS:

Electrical Specifications

Frequency Range	890~960 MHz
V.S.W.R	≤ 1.5:1
Return Loss	≥ -14db
Antenna Type	Collinear
Gain	14dBi
Polarization	Vertical
Maximum Power	100W
Front to Back Ratio	-16dB
Vertical Beam-with	40°
Horizontal Beam-with	48°
Impedance	50Ω
Connector	N-Female

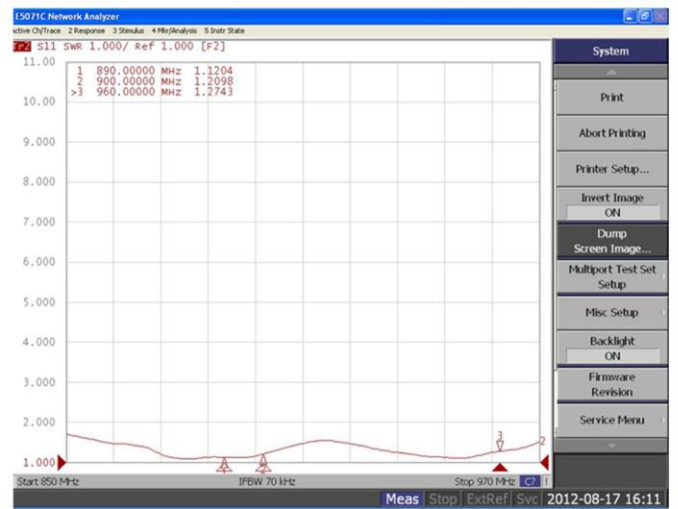
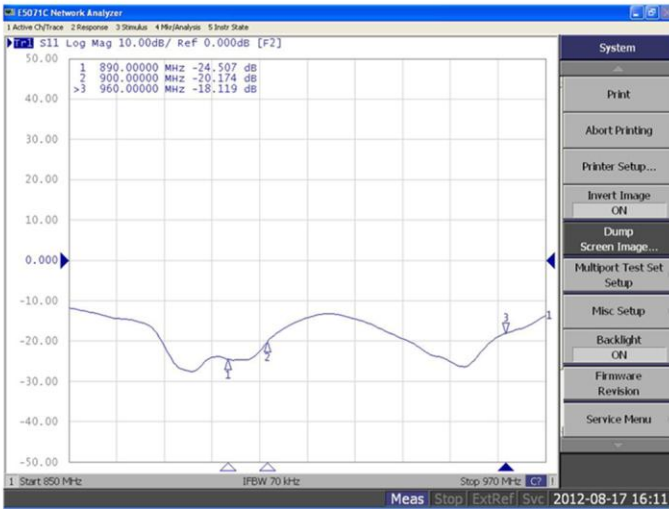
Mechanical Specifications

Lenght	L762xW184xH54mm
Weight	700g
Wind Survival	> 150 MPH
Operating Temperature	-40°C to +80°C
Clamps	U-bolt
Mounting	30-43mm
RoHS Compliant	Yes

TESTINGREPORT

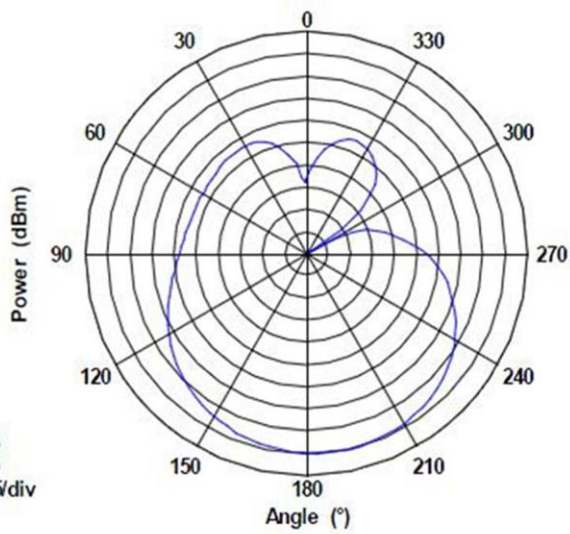
Return Loss

V.S.W.R

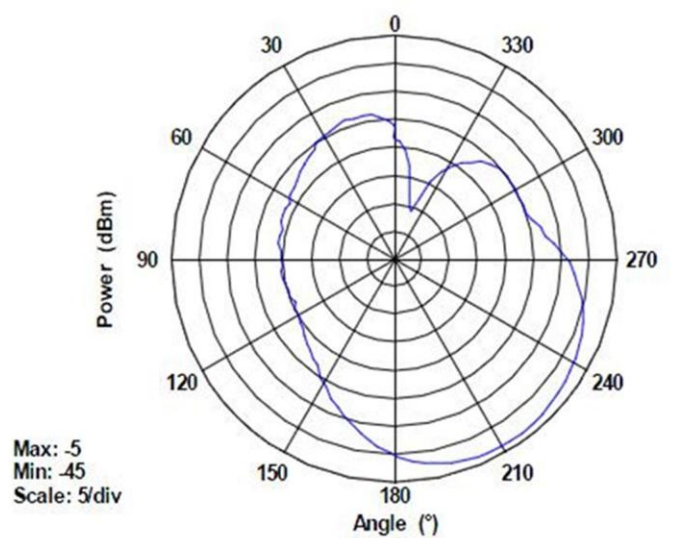


Antenna Vertical & Horizontal Pattern

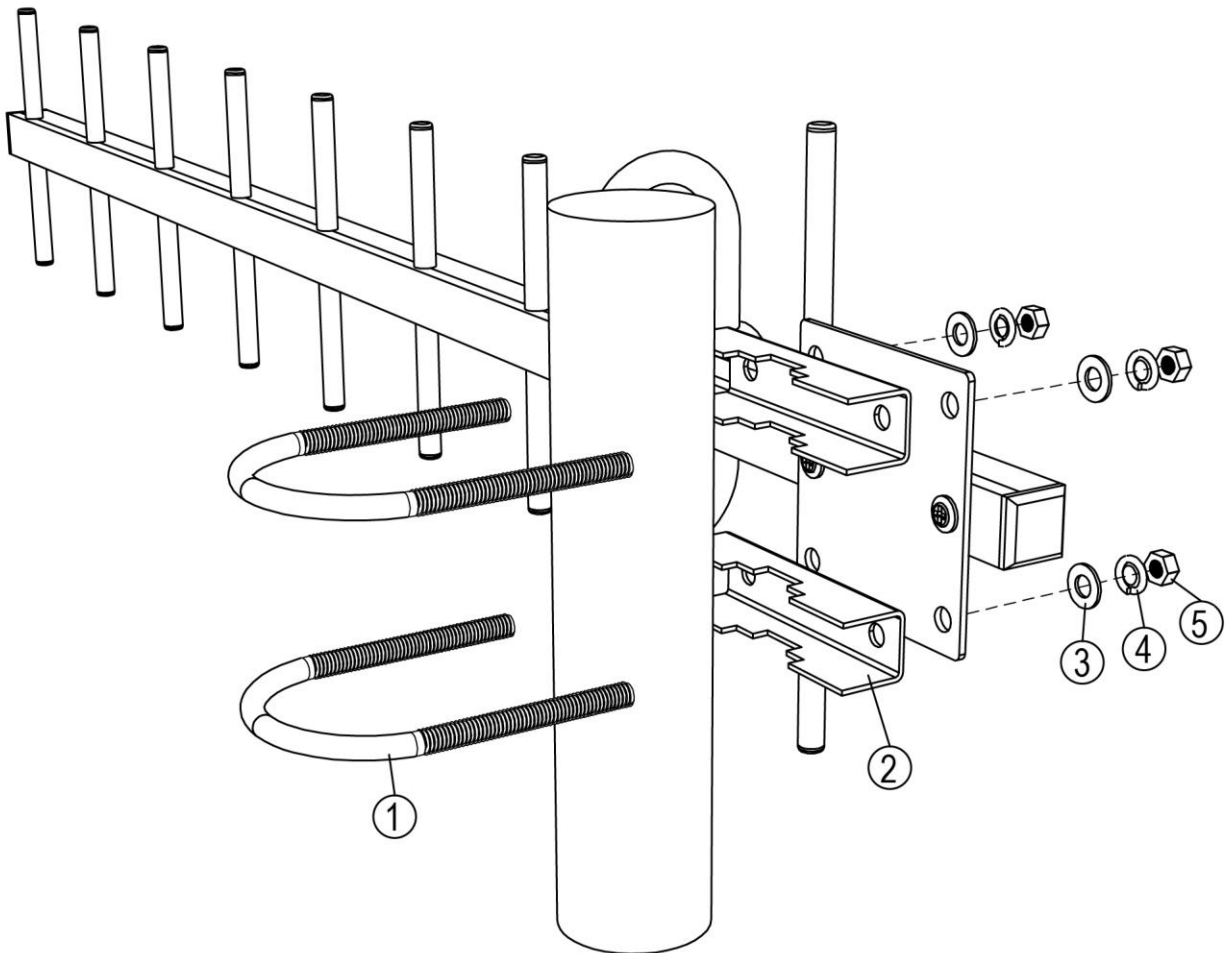
Vertical



Horizontal



890~960MHz YAGI Antenna



ACCESSORIES

①  * 2 PC

③  * 4 PC

⑤  * 4 PC

②  * 2 PC

④  * 4 PC