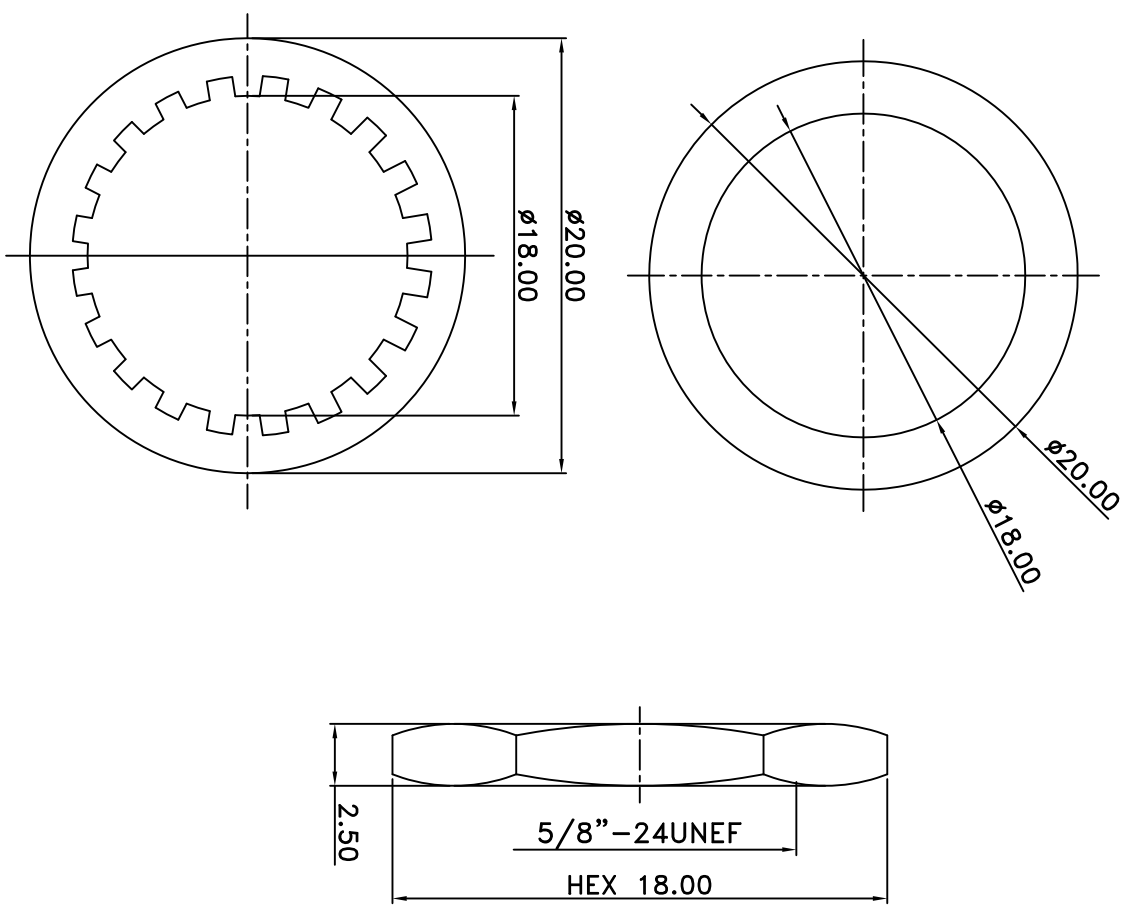
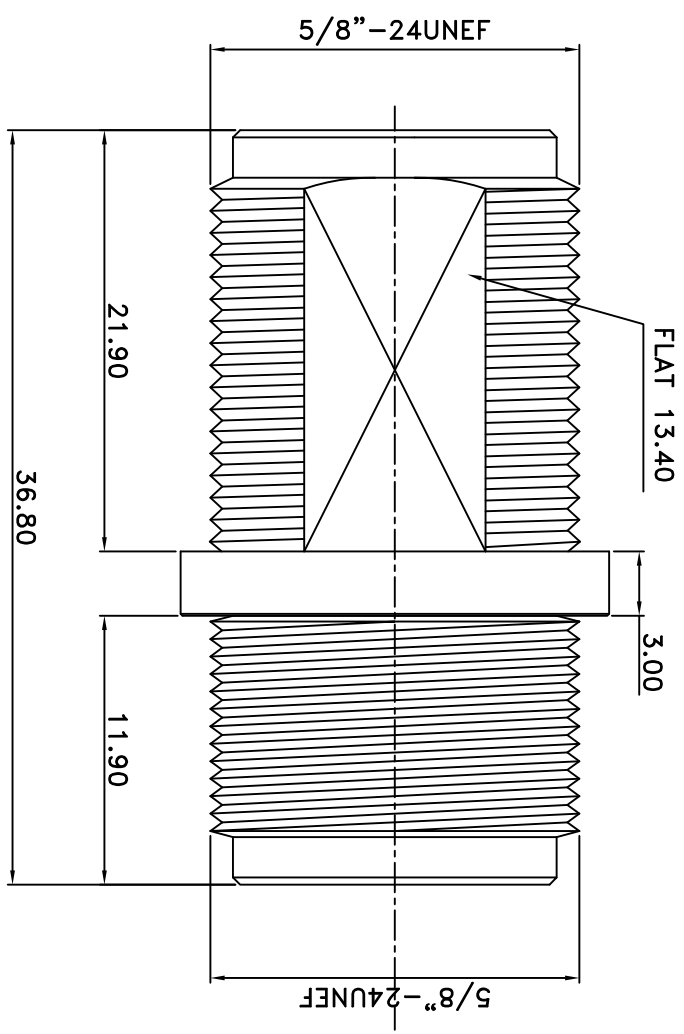


REV	DESCRIPTION	DRAWN	DATE



NO	Description	Qty	Material	Finish
1	BODY	1	BRASS	NICKEL
2	PIN	1	BRASS	GOLD
3	DIELECTRIC	1	TEFLON	NONE
4	O-RING	1	sl-rubber	BLACK

R&D



* MAJOR DIMENSION

UNLESS OTHERWISE NOTED TOLERANCES
 0.5-6 = ±0.2
 6-30 = ±0.4
 30-120 = ±0.6
 120-315 = ±1.0
 ANGLES = ±1.0

SCALE	4/1	UNIT	MM
-------	-----	------	----

APPROVED
CASH

CHECKED
LYDIA

DRAWN
PEN

DRAWN DATE 09/07/22

RF Castle 華城電子有限公司
 RF CASTLE ELECTRONICS CO., LTD

TITLE
N DOUBLE FEMALE BULKHEAD

DRAWING NO. N-1130-4-TGN

REV
GL A