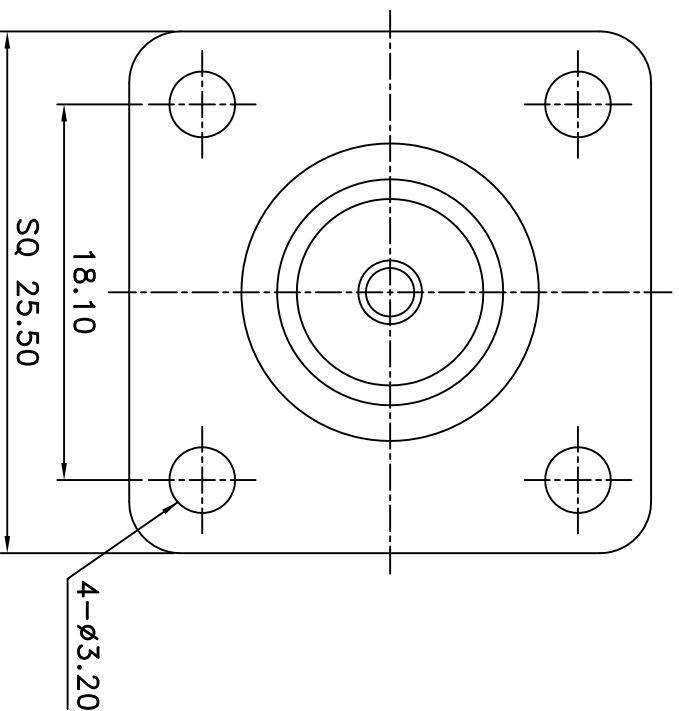
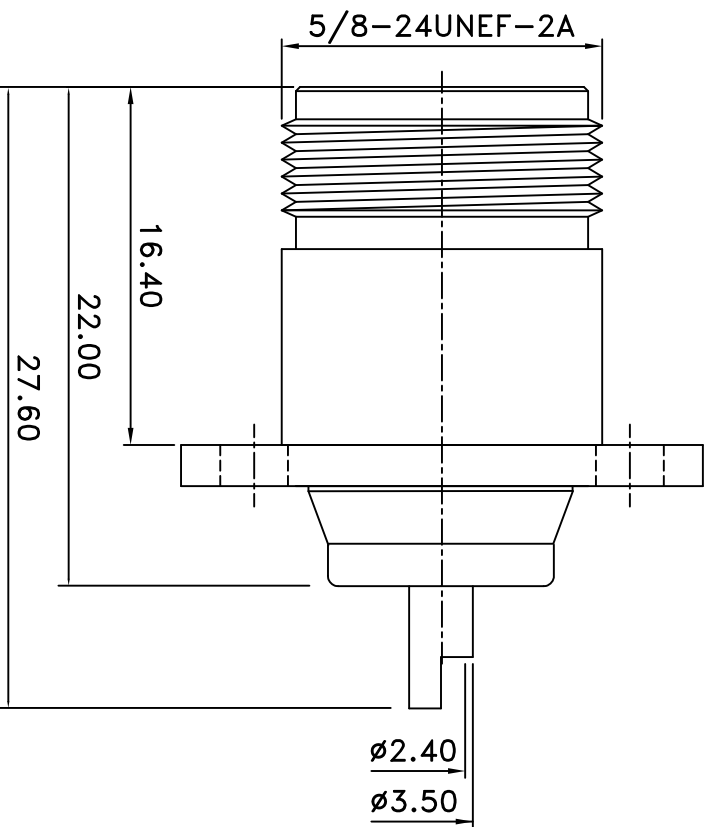
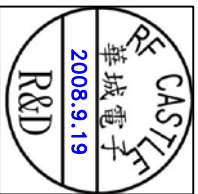


REV	DESCRIPTION	DRAWN	DATE



NO	Description	Qty	Material	Finish
1	Body	1	BRASS	NICKEL
2	Body	1	BRASS	NICKEL
3	Pin	1	BRASS	GOLD
4				

R&D



\* MAJOR DIMENSION

UNLESS OTHERWISE NOTED TOLERANCES  
 0.5-6 = ±0.2  
 6-30 = ±0.4  
 30-120 = ±0.6  
 120-315 = ±1.0  
 ANGLES = ±1.0

SCALE 4/1 UNIT MM

APPROVED  
CASH

CHECKED  
LYDIA

DRAWN  
PEN

DRAWN DATE 08/12/18

**RF Castle** 華城電子有限公司  
 RF CASTLE ELECTRONICS CO., LTD

TITLE  
N FEMALE PANEL RECEPTACLE  
 DRAWING NO. N-1126-1-TGN

REV  
GL A