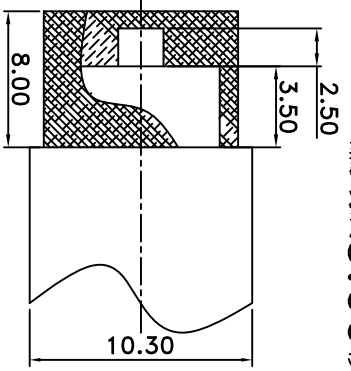
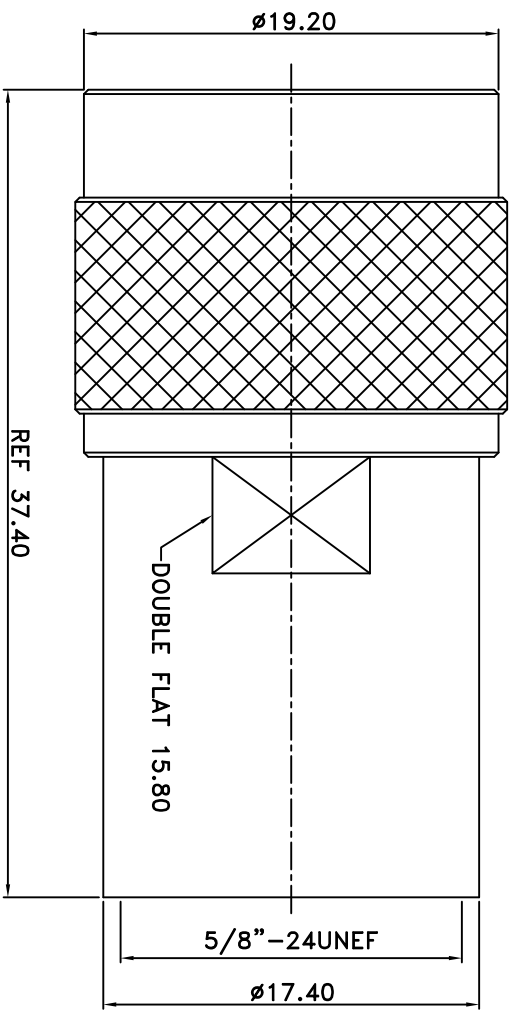
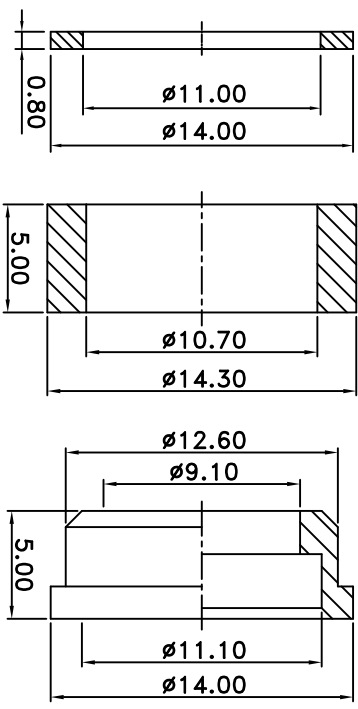
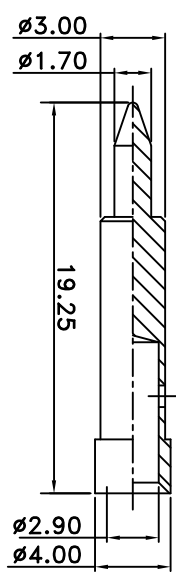
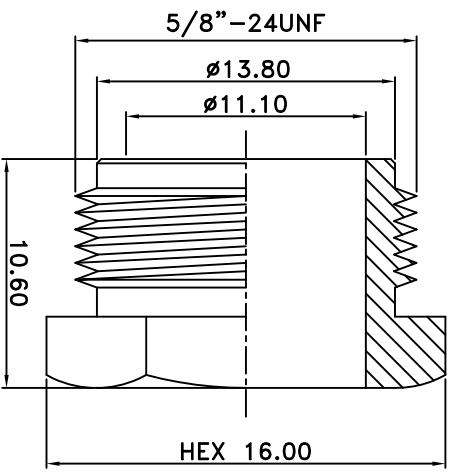


REV	DESCRIPTION	DRAWN	DATE

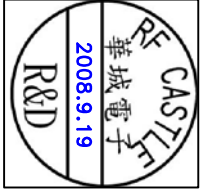


編織網 3.00 後翻



NO	Description	Qty	Material	Finish
3	DIELECTRIC	1	TEFLON	NONE
2	PIN	1	BRASS	ORANGE
1	BODY	1	BRASS	NICKEL

R&D



\* MAJOR DIMENSION

UNLESS OTHERWISE NOTED TOLERANCES  
 0.5-6 = ±0.2  
 6-30 = ±0.4  
 30-120 = ±0.6  
 120-315 = ±1.0  
 ANGLES = ±1°

SCALE 4/1 UNIT MM DRAWN DATE 09/02/03

APPROVED  
CASH

CHECKED  
LYDIA

DRAWN  
PEN

**RF Castle** 華城電子有限公司  
 RF CASTLE ELECTRONICS CO., LTD

TITLE  
N MALE CLAMP TYPE OVERLAY

DRAWING NO.  
N-1109-1-B4-TGN

REV  
GL A